

# Ansell

LIGHTING

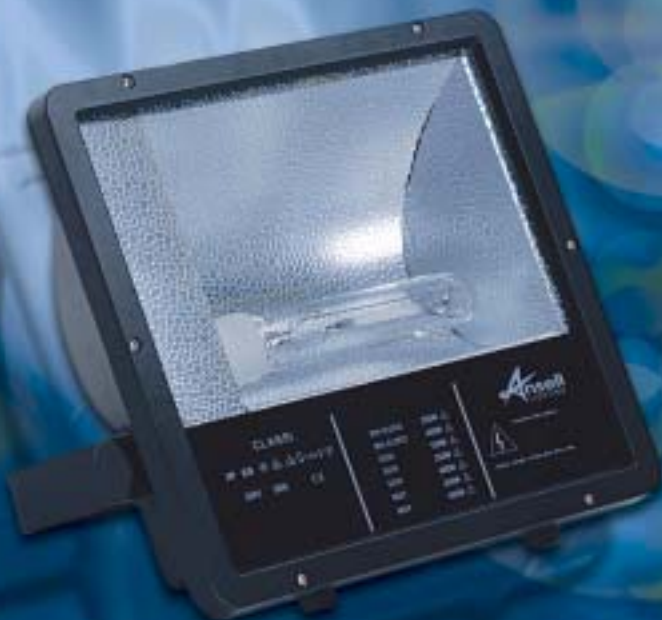
## FLOODLIGHTS



IP 65 Die-Cast Black Slimline  
Metal Halide Floodlight



IP 65 Die-Cast White Slimline  
Metal Halide Floodlight

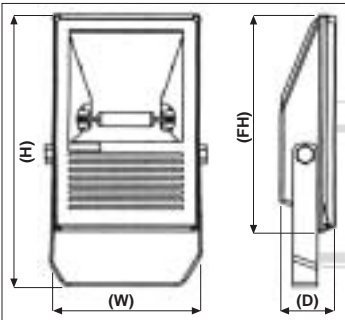


IP 65 Die-Cast Floodlight



IP 66 Moulded PBT Floodlight

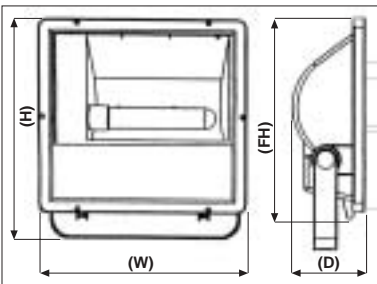
## Die-cast Slimline Metal Halide Floodlights c/w Lamp



Product Code	Description	Lamp Type	Weight	Windage
A70MHL	70w IP 65 Floodlight <b>⊕</b>	70w HQI RX7s	5.0 Kg	0.08 m <sup>2</sup>
A70MHL/W	70w IP 65 Floodlight <b>⊗</b>	70w HQI RX7s	5.0 Kg	0.08 m <sup>2</sup>
A150 MHL	150w IP 65 Floodlight <b>⊕</b>	150w HQI RX7s	5.0 Kg	0.08 m <sup>2</sup>
A150 MHL/W	150w IP 65 Floodlight <b>⊗</b>	150w HQI RX7s	5.0 Kg	0.08 m <sup>2</sup>

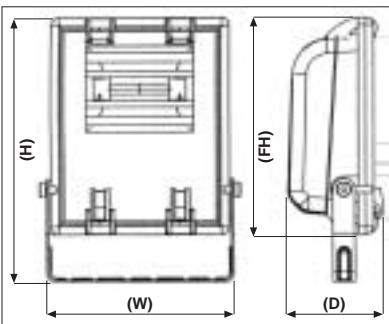
(H) = 380mm (W) = 240mm (D) = 95mm (FH) = 350

## Die-cast Floodlights c/w Lamp



Product Code	Description	Lamp Type	Weight	Windage
A150 SONT	150w IP 65 Sodium Floodlight <b>⊕</b>	150w Son E40	8.0 Kg	0.20 m <sup>2</sup>
A150 SONT	150w IP 65 Sodium Floodlight <b>⊗</b>	150w Son E40	8.0 Kg	0.20 m <sup>2</sup>
A250 SONT	250w IP 65 Sodium Floodlight <b>⊕</b>	250w Son E40	9.0 Kg	0.20 m <sup>2</sup>
A250 SONT	250w IP 65 Sodium Floodlight <b>⊗</b>	250w Son E40	9.0 Kg	0.20 m <sup>2</sup>
A400 SONT	400w IP 65 Sodium Floodlight <b>⊕</b>	400w Son E40	10.5 Kg	0.20 m <sup>2</sup>
A400 SONT	400w IP 65 Sodium Floodlight <b>⊗</b>	400w Son E40	10.5 Kg	0.20 m <sup>2</sup>
A250 MHL	250w IP 65 Metal Halide Floodlight <b>⊕</b>	250w HQI E40	9.0 Kg	0.20 m <sup>2</sup>
A250 MHL	250w IP 65 Metal Halide Floodlight <b>⊗</b>	250w HQI E40	9.0 Kg	0.20 m <sup>2</sup>
A400 MHL	400w IP 65 Metal Halide Floodlight <b>⊕</b>	400w HQI E40	9.5 Kg	0.20 m <sup>2</sup>
A400 MHL	400w IP 65 Metal Halide Floodlight <b>⊗</b>	400w HQI E40	9.5 Kg	0.20 m <sup>2</sup>
AF250 M	250w IP 65 Mercury Floodlight <b>⊕</b>	250w MBF E40	9.0 Kg	0.20 m <sup>2</sup>
AF250 M	250w IP 65 Mercury Floodlight <b>⊗</b>	250w MBF E40	9.0 Kg	0.20 m <sup>2</sup>
AF450 M	450w IP 65 Mercury Floodlight <b>⊕</b>	400w MBF E40	9.5 Kg	0.20 m <sup>2</sup>
AF450 M	450w IP 65 Mercury Floodlight <b>⊗</b>	400w MBF E40	9.5 Kg	0.20 m <sup>2</sup>

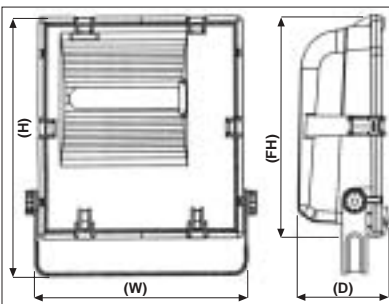
(H) = 430mm (W) = 440mm (D) = 130mm (FH) = 490



## Moulded PBT Metal Halide Floodlights c/w Lamp

Product Code	Description	Lamp Type	Weight	Windage
A70 MHL P	70w IP 66 Moulded PBT Floodlight <b>⊕</b>	70w HQI RX7s	5.0 Kg	0.07 m <sup>2</sup>
(H) = 354mm (W) = 260mm (D) = 130mm (FH) = 296				
A150 MHL P	150w IP 66 Moulded PBT Floodlight <b>⊕</b>	150w HQI RX7s	5.0 Kg	0.13 m <sup>2</sup>
(H) = 473mm (W) = 385mm (D) = 148mm (FH) = 402				

## Moulded PBT Floodlights c/w Lamp



Product Code	Description	Lamp Type	Weight	Windage
A150 SONTP	IP 66 Sodium Floodlight <b>⊕</b>	150w Son E40	8.0 Kg	0.20 m <sup>2</sup>
A250 SONTP	IP 66 Sodium Floodlight <b>⊕</b>	250w Son E40	9.0 Kg	0.20 m <sup>2</sup>
A400 SONTP	IP 66 Sodium Floodlight <b>⊕</b>	400w Son E40	9.5 Kg	0.20 m <sup>2</sup>
A250 MHL P	IP 66 Metal Halide Floodlight <b>⊕</b>	250w HQI E40	9.0 Kg	0.20 m <sup>2</sup>
A400 MHL P	IP 66 Metal Halide Floodlight <b>⊕</b>	250w HQI E40	9.0 Kg	0.20 m <sup>2</sup>
AF250 MP	IP 66 Mercury Floodlight <b>⊕</b>	400w MBF E40	9.5 Kg	0.20 m <sup>2</sup>
AF400 MP	IP 66 Mercury Floodlight <b>⊕</b>	400w MBF E40	9.5 Kg	0.20 m <sup>2</sup>
(H) = 538mm (W) = 436mm (D) = 190mm (FH) = 460				

All products available complete with electronic photocell – Suffix product code with: IPC

**⊗** - White      **⊕** - Black  
Coloured Lamps available: Blue, Green, Magenta, Red & Yellow

Contact:

BELFAST - +44 (0) 28 90 773750

WARRINGTON - +44 (0) 1925 652266