

Impervia R

Recessed



A robust, fully sealed luminaire for use in clean area environments.

- Ideal for environments where an ingress protection rating of greater than IP20 is required - such as hospitals, food preparation units and laboratories.
- Suitable for a range of applications where water jet or dust proofing is critical.
- Supplied with high impact thermoplastic, TP(a) rated, prismatic diffuser.
- Compatible with all generally used control gear and emergency options.
- Designed and manufactured in modern facilities using sophisticated equipment and assembly methods.

CE IP65/IP54



25
Years

Dextra

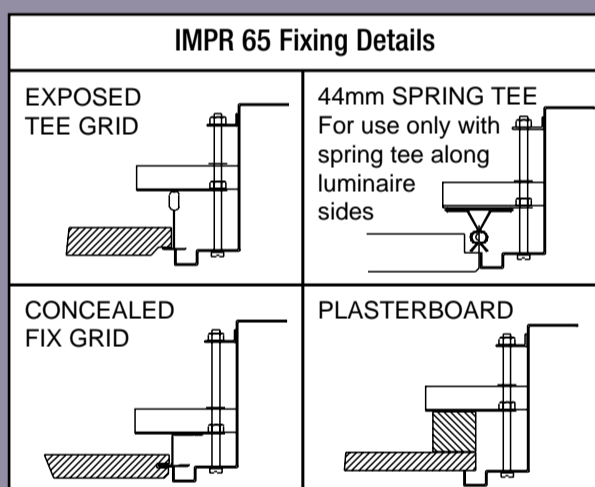
Impervia R

Recessed

IMPR 65 Fitting

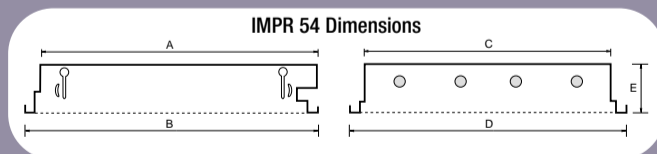


IMPR 54 Fitting



IMPR 54 Fixing Details

The side arm support brackets push into the holes at the top of the slots in the sides of the luminaire body. The brackets then slide down onto the grid or adjacent ceiling structure. Once the trim is at the required height the bracket can then be rotated clockwise to lock the fitting into place in a similar way to the above diagrams.



The Impervia R range is suitable for use in most ceiling systems including metal pan spring tee, exposed tee grid, concealed fix grid or plasterboard.

The luminaires are manufactured from CR4GP steel, pre-treated through a three stage iron phosphate system for paint adhesion and durability, and then finished with a white, high gloss, epoxy polyester powder coated paint.

The IP65 version is fully welded and sealed from both above and below when the diffuser is in place. The IP54 version is sealed from below only.

A wide selection of control gear is available including switch start, high frequency electronic, analogue dimming and digital dimming systems. Others are available on request.

3 hour maintained emergency versions available.

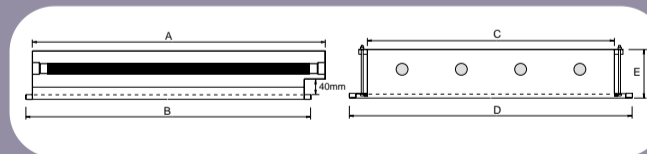
Fittings are installed by the use of fully adjustable side arm support brackets.

Supplied with high impact, TP(a) fire rated prismatic diffuser as standard. The IP54 version is also available with LG3 2001 65° louvres on request.

Manufactured to fully comply with BSEN 60598 and CE Marked in accordance with EMC requirements.

For full technical luminaire, ceiling and photometric data please contact our Lighting Services Department.

IMPR 65 Dimensions



Order Details

IMPR 65 (dimensions)

Order Code	Nominal Size	Lamps	Weight (kg)	Dimensions				
				A	B	C	D	E
IMPR65 662 TC-L	600 x 600	2 x 36W TC-L	10.14	530	599	516	599	113
IMPR65 663	600 x 600	3 x 18W	10.17	631	599	516	599	113
IMPR65 664	600 x 600	4 x 18W	10.20	631	599	516	599	113
IMPR65 1263	1200 x 600	3 x 36W	16.13	1241	1199	516	599	113
IMPR65 1264	1200 x 600	4 x 36W	16.74	1241	1199	516	599	113
IMPR65 1262	1200 x 600	2 x 36W	16.20	1241	1199	516	599	113
IMPR65 1232	1200 x 300	2 x 36W	9.20	1241	1199	516	299	113
IMPR65 1532	1500 x 300	2 x 58W	15.47	1441	1499	216	299	113
IMPR65 T5 214HF/224HF	600 x 300	2 x 14W HE 2 x 24 HO	5.5	631	599	216	299	113
IMPR65 T5 314HF/324HF	600 x 600	3 x 14W HE 3 x 24 HO	8.97	631	599	516	599	113
IMPR65 T5 414HF/424HF	600 x 600	4 x 14W HE 4 x 24 HO	9.2	631	599	516	599	113
IMPR65 T5 228HF/254HF	1200 x 300	2 x 28W HE 2 x 54 HO	14.50	1241	1199	216	299	113
IMPR65 T5 328HF/354HF	1200 x 600	3 x 28W HE 3 x 54 HO	14.78	1241	1199	516	599	113

IMPR 54 (dimensions)

Order Code	Nominal Size	Lamps	Weight (kg)	Dimensions				
				A	B	C	D	E
IMPR54 552 X 36 TC-L	500 x 500	2 x 36W TC-L	4.85	450	499	450	499	125
IMPR54 553 X 36 TC-L	500 x 500	3 x 36W TC-L	4.95	450	499	450	499	125
IMPR54 632	600 x 300	2 x 18W	4.20	620	599	250	299	112
IMPR54 662	600 x 600	2 x 18W	6.53	620	599	550	599	112
IMPR54 662 TC-L	600 x 600	2 x W TC-L	5.80	550	599	550	599	125
IMPR54 663	600 x 600	3 x 18W	6.77	620	599	550	599	112
IMPR54 664	600 x 600	4 x 18W	6.91	620	599	550	599	112
IMPR54 1263	1200 x 600	3 x 36W	11.52	1230	1199	550	599	112
IMPR54 1264	1200 x 600	4 x 36W	12.14	1230	1199	550	599	112
IMPR54 1262	600 x 600	2 x 36W	10.65	1230	1199	550	599	112
IMPR54 1232	1200 x 300	2 x 36W	7.10	1230	1199	250	299	112
IMPR54 1532	1500 x 300	2 x 58W	8.87	1530	1499	250	299	112
IMPR54 1832	1800 x 300	2 x 70W	10.34	1795	1799	250	299	112
IMPR54 T5 214HF/224HF	600 x 600	2 x 14W HE 2 x 24 HO	5.10	572	599	550	599	112
IMPR54 T5 314HF/324HF	600 x 600	3 x 14W HE 3 x 24 HO	5.57	572	599	550	599	112
IMPR54 T5 414HF/424HF	600 x 600	4 x 14W HE 4 x 24 HO	5.62	572	599	550	599	112
IMPR54 T5 228HF/254HF	1200 x 600	2 x 28W HE 2 x 54 HO	9.36	1172	1199	550	599	112
IMPR54 T5 328HF/354HF	1200 x 600	3 x 28W HE 3 x 54 HO	9.57	1172	1199	550	599	112
IMPR54 T5 428HF/454HF	1200 x 600	4 x 28W HE 4 x 54 HO	9.62	1172	1199	550	599	112
IMPR54 T5 123228/123254	1200 x 300	2 x 28W HE 2 x 54 HO	5.62	1172	1199	250	299	112
IMPR54 T5 153235/153249	1500 x 300	2 x 35W HE						
/123280		2 x 49/80W HO	7.03	1472	1499	250	299	112

Control Gear Variants - Suffix

Code	Description
HF	High Frequency Electronic
HFR	High Frequency Dimming (Analogue 1-10V)
DDC	Digital Dimming Control
E3	3 Hour Maintained Emergency Pack (Integral)
C2	LG3 2001 65° (LG3 1996 CAT 2) Louvre (IP54 only)