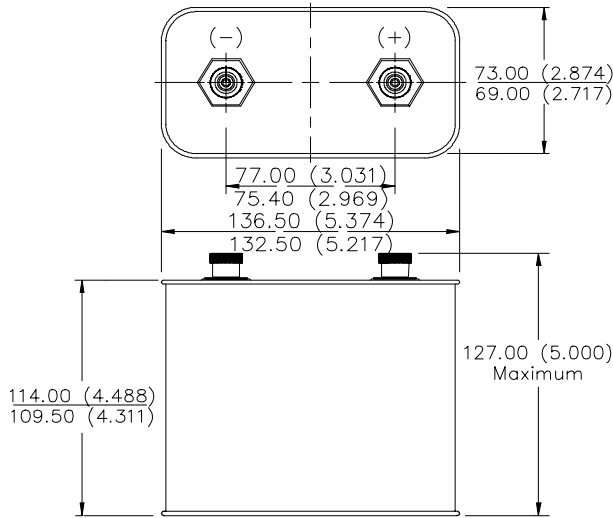


## ENERGIZER NO. 521



Industry Standard Dimensions in mm (inches)



**6V**

**Chemical System:** Alkaline  
 Zinc-Manganese Dioxide (Zn/MnO<sub>2</sub>)  
 (No Added Mercury or Cadmium)

**Designation:** ANSI-918A, IEC-4LR25-2

**Battery Voltage:** 6.0 Volts

**Operating Temp:** -18°C to 55°C (0°F to 130°F)

**Average Capacity:** 52,000 mAh (to 0.8 volts/cell)  
 (Rated capacity at 25 mA continuous drain)

**Average Weight:** 1,900 grams (67.3 oz.)

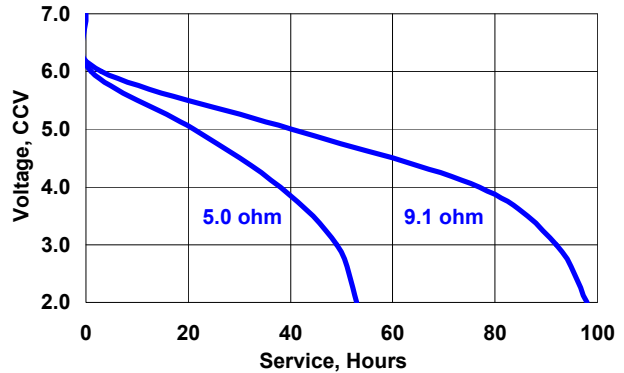
**Volume:** 1,123 cubic centimeters (68.5 cubic inch)

**Cell:** Eight No. 3-361  
 Two parallel strings of four in series

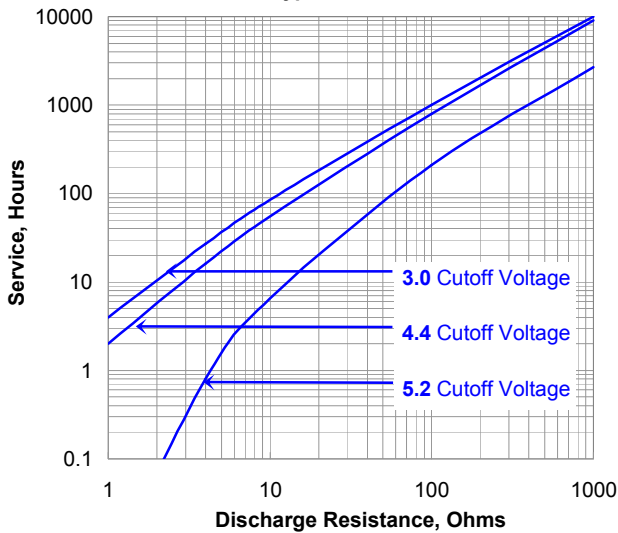
**Jacket:** Metal

**Terminal:** Screw Post

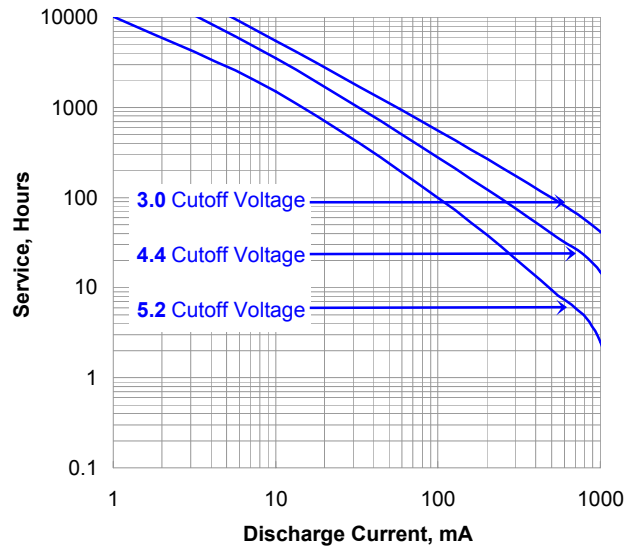
**PORTABLE LIGHTING**  
 Continuous Tests @ 20°C



**CONSTANT RESISTANCE PERFORMANCE**  
 Typical Service



**CONSTANT CURRENT DISCHARGE**  
 Typical Service



### Important Notice

This data sheet contains information specific to batteries manufactured at the time of its publication.

**Contents herein do not constitute a warranty.**

Copyright © Eveready Battery Co. - All rights reserved