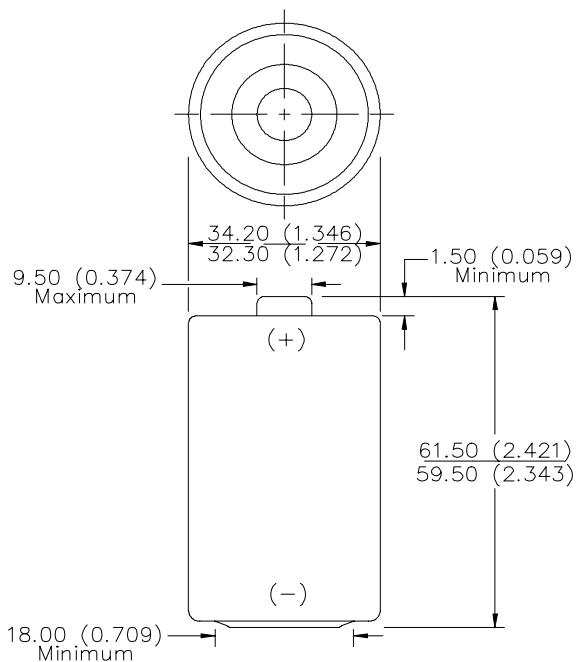


## ENERGIZER NO. E95

**D**



Industry Standard Dimensions in mm (inches)



Negative cover detail referenced on page 2

**Chemical System:** Alkaline  
 Zinc-Manganese Dioxide (Zn/MnO<sub>2</sub>)  
 (No Added Mercury or Cadmium)

**Designation:** ANSI-13A, IEC-LR20

**Battery Voltage:** 1.5 Volts

**Internal Resistance:** 173 Milliohms (Fresh)

**Operating Temp:** -18°C to 55°C (0°F to 130°F)

**Average Capacity:** 20,500 mAh (to 0.8 volts)  
 (Rated capacity at 25 mA continuous drain)

**Average Weight:** 141.9 grams (5.03 oz.)

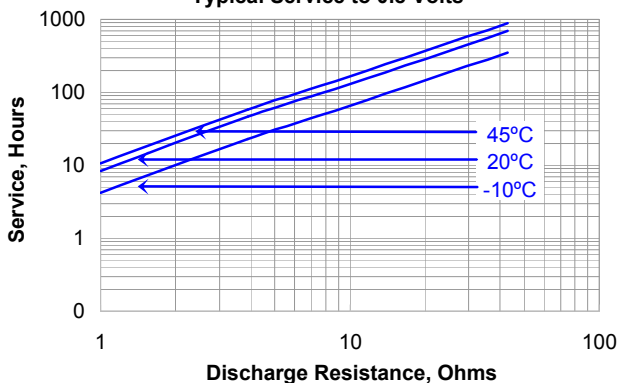
**Volume:** 55.9 cubic centimeters (3.4 cubic inch)

**Cell:** One No. 3-350 (size 'D')

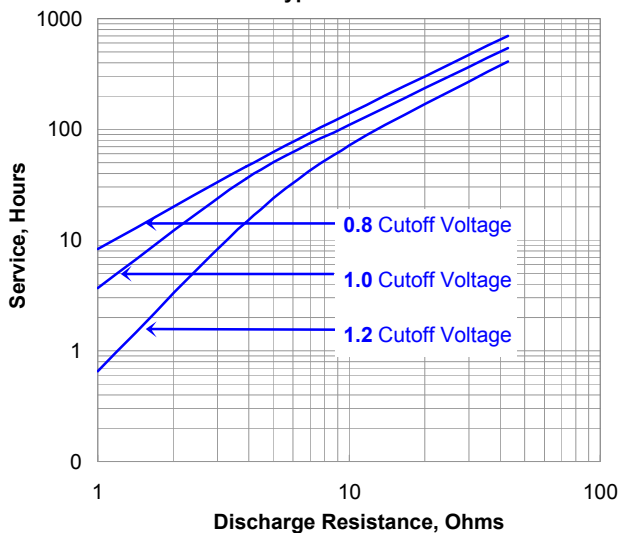
**Jacket:** Plastic Label

**Shelf Life:** 7 years (80% of rated capacity)

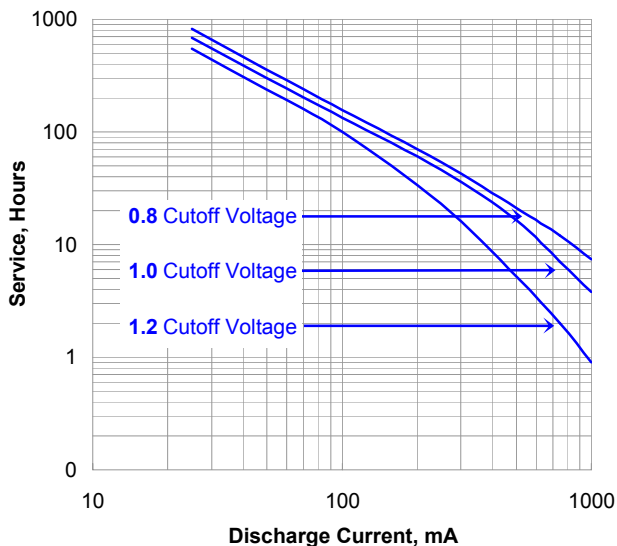
### TEMPERATURE EFFECTS Typical Service to 0.8 Volts



### CONSTANT RESISTANCE PERFORMANCE Typical Service



### CONSTANT CURRENT DISCHARGE Typical Service



### Important Notice

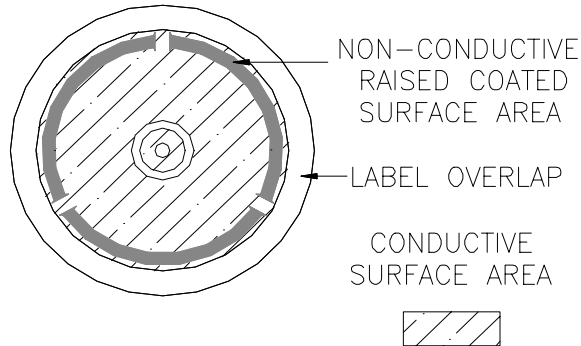
This data sheet contains information specific to batteries manufactured at the time of its publication.

**Contents herein do not constitute a warranty.**

Copyright © Eveready Battery Co. - All rights reserved

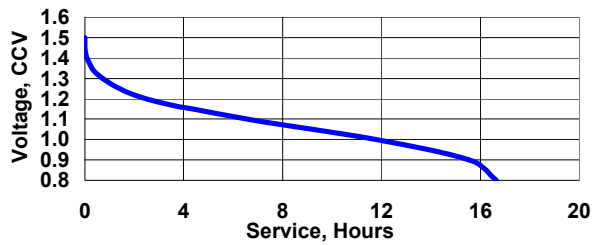
**ENERGIZER NO. E95**

NEGATIVE COVER VIEW

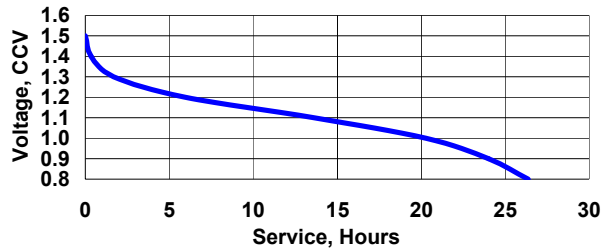


**Industry Standard Tests @ 20° C**

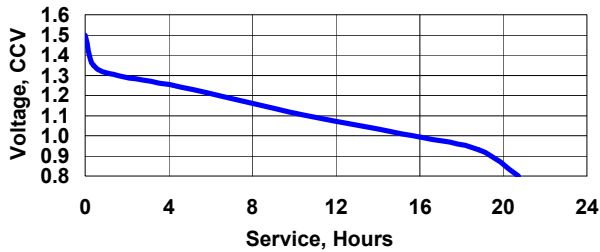
**PORTABLE LIGHTING**  
1.5 ohm - HIF



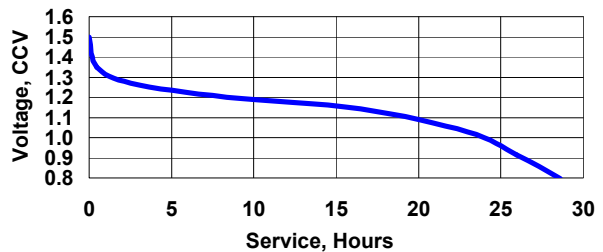
**TOY**  
2.2 ohm - 1hr/day



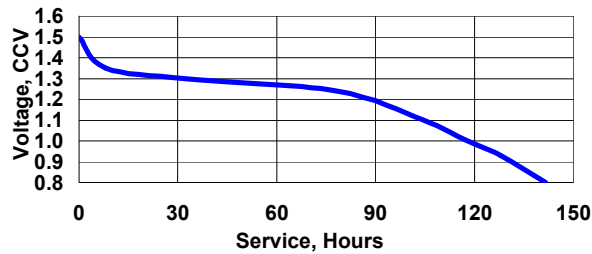
**PORTABLE STEREO**  
600 mA - 2 hr/day



**PORTABLE LIGHTING**  
2.2 ohm - LIF



**RADIO**  
10 ohm - 4 hr/day



**Important Notice**

This data sheet contains information specific to batteries manufactured at the time of its publication.

**Contents herein do not constitute a warranty.**

Copyright © Eveready Battery Co. - All rights reserved