

COMPACT FLUORESCENT DOWNLIGHTERS

Switch Start

Product	Lamp Options	Net Trade Price
MCF113	1 x 13 TC-D	£22.36
MCF213	2 x 13 TC-D	£26.30
MCF118	1 x 18 TC-D	£22.36
MCF218	2 x 18 TC-D	£27.36
MCF126	1 x 26 TC-D	£22.36
MCF226	2 x 26 TC-D	£27.36

Lamp not included

Switch Start EMERGENCY /EM3

Product	Lamp Options	Net Trade Price
MCF113/EM3	1 x 13 TC-D	£95.99
MCF213/EM3	2 x 13 TC-D	£99.93
MCF118/EM3	1 x 18 TC-D	£95.99
MCF218/EM3	2 x 18 TC-D	£100.99
MCF126/EM3	1 x 26 TC-D	£95.99
MCF226/EM3	2 x 26 TC-D	£100.99

Lamp not included

High frequency control gear

Product	Lamp Options	Net Trade Price
MCF113HF	1 x 13 TC-D	£38.96
MCF213HF	2 x 13 TC-D	£40.72
MCF118HF	1 x 18 TC-D	£38.96
MCF218HF	2 x 18 TC-D	£40.72
MCF126HF	1 x 26 TC-D	£38.96
MCF226HF	2 x 26 TC-D	£40.72
MCF132HF	1 x 32 TC-D	£38.96
MCF142HF	1 x 42 TC-D	£38.96

Lamp not included

High frequency control gear EMERGENCY /EM3

Product	Lamp Options	Net Trade Price
MCF113HF/EM3	1 x 13 TC-D	£112.60
MCF213HF/EM3	2 x 13 TC-D	£114.36
MCF118HF/EM3	1 x 18 TC-D	£112.60
MCF218HF/EM3	2 x 18 TC-D	£114.36
MCF126HF/EM3	1 x 26 TC-D	£112.60
MCF226HF/EM3	2 x 26 TC-D	£114.36
MCF132HF/EM3	1 x 32 TC-D	£112.60
MCF142HF/EM3	1 x 42 TC-D	£112.60

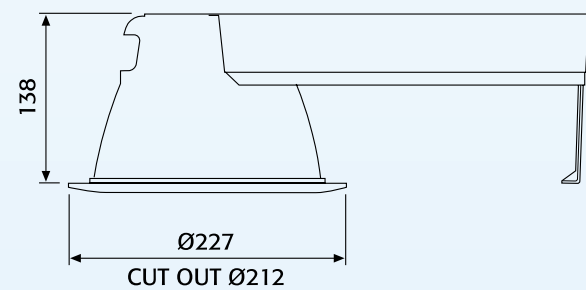
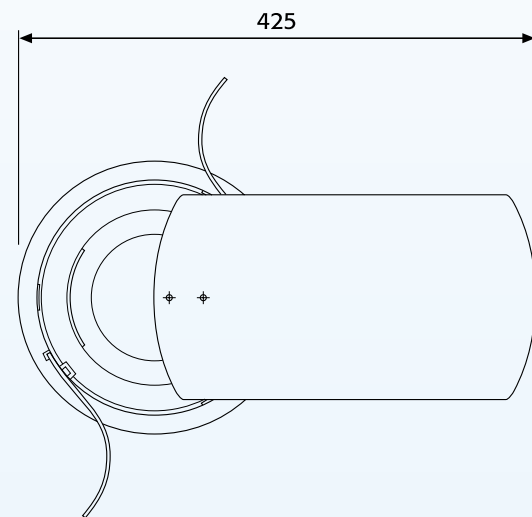
Lamp not included

High frequency dimming control gear

Product	Lamp Options	Net Trade Price
MCF113HFD	1 x 13 TC-D	£62.60
MCF213HFD	2 x 13 TC-D	£66.78
MCF118HFD	1 x 18 TC-D	£62.60
MCF218HFD	2 x 18 TC-D	£66.78
MCF126HFD	1 x 26 TC-D	£62.60
MCF226HFD	2 x 26 TC-D	£66.78
MCF132HFD	1 x 32 TC-D	£62.60
MCF142HFD	1 x 42 TC-D	£62.60

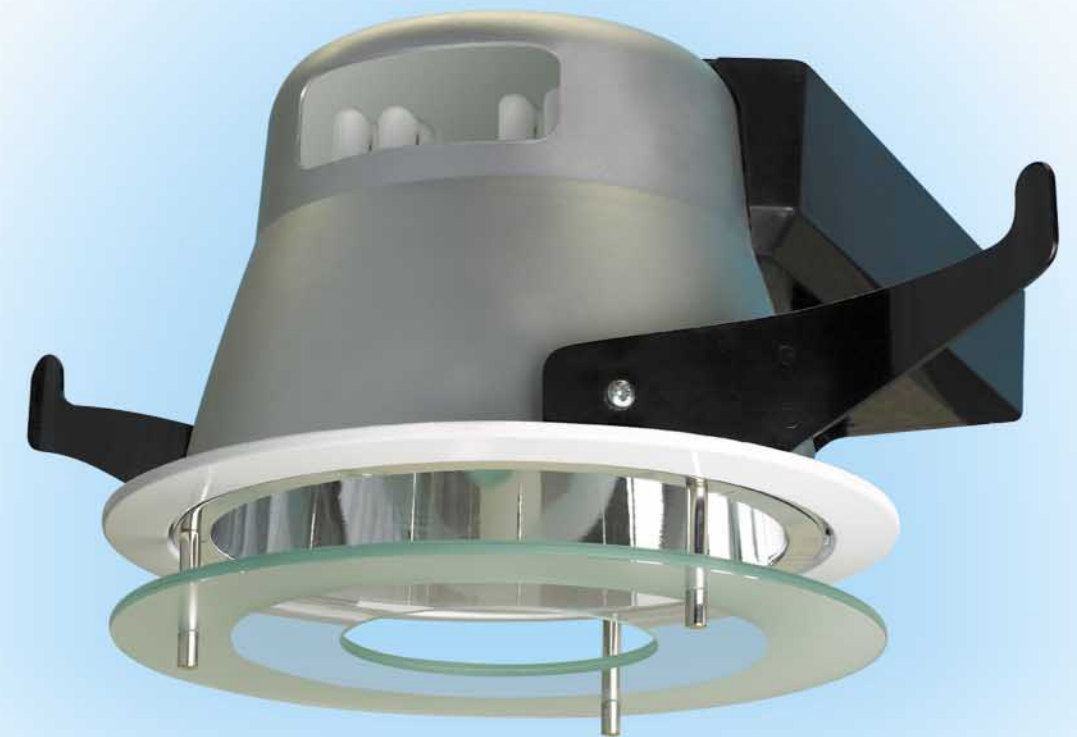
Lamp not included

Photometry available on request



COMPACT FLUORESCENT DOWNLIGHTERS

MONDOLUX



Telephone Sales on
0113 2450788

Fax: 0113 242 2573




Powerlite Electrical Products Ltd,
122 North Street, Leeds, West Yorkshire, England LS7 1AF
Telephone: 0113 2450788 Fax: 0113 2422573



COMPACT FLUORESCENT DOWNLIGHTERS

MONDOLUX

Specification

- 240V 50Hz supply
- Electrical insulation Class 1 requires an earth
-  Suitable for mounting on normally flammable surfaces
- Electronic dimming ballast versions provide smooth control from either push to make mains switch or with digital signal from existing control system
- Most models are available with 3 hour maintained emergency lighting versions

Main Features

- Standard fixture uses white body as a reflector for non critical areas or when fitted with cover
- Aluminium die cast body to ensure style, rigidity and consistency of finish and resistance to heat and corrosion
- Comprehensive range of gear options
- Vented integral gear housing
- Polycarbonate moulded fixing clips
- Designed and manufactured by Powerlite in the UK.



Screwless terminal block with looping facilities

Ratcheted gear box support
(no tools required)

Super Purity Reflector



Injection moulded polycarbonate with vacuum applied 99.99% aluminium optical coating protected by clear polymer layer. Iridescence free, outstanding lighting performance.

Product	Description	Net Trade Price
MRF190	Reflector	£10.12

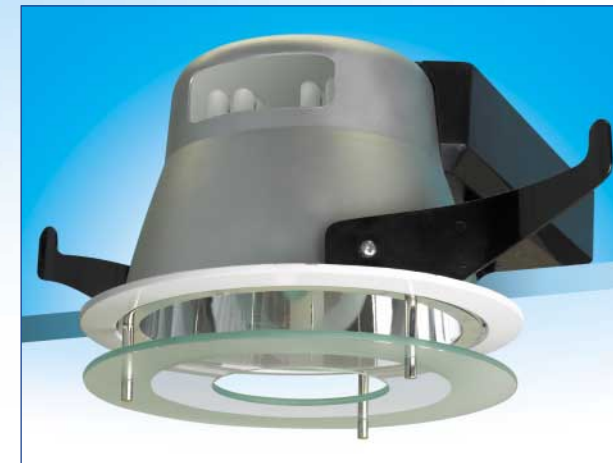
Opal & Clear Cover IP44



Flush mounted, clips in. Injection moulded polycarbonate, UV stabilised, 85% light transmission for improved light output.

Product	Description	Net Trade Price
MOC190	Opal Cover IP44	£2.30
MCC190	Clear cover IP44	£2.18

Etched Floating Glass Ring



Etched floating glass ring kit - provides amount of uplighting, comes complete with reflector to provide sparkle.

Product	Description	Net Trade Price
MRK230	Etched Floating Glass Ring Kit	£25.88

Etched floating glass ring - for retro fit into existing reflector.

Product	Description	Net Trade Price
MGR230	Spare Glass Ring Only	£16.67

Etched Floating Glass Disc



Etched floating glass disc kit - provides amount of uplighting, comes complete with reflector to provide sparkle.

Product	Description	Net Trade Price
MDK230	Etched Floating Glass Disc Kit	£23.76

Etched floating glass disc - for retro fit into existing reflector.

Product	Description	Net Trade Price
MGD230	Spare Glass Disc Only	£14.55