

ADJUSTABLE HID & LV DOWNLIGHTS

LAMP APPLICATION GUIDE

Metal Halide

Metal halide ceramic arc tube discharge lamps provide white, sparkling light with excellent colour rendering properties. For public areas, shops, shop windows, displays, anywhere the accurate portrayal of colour is essential.

White SON

Warm, good colour rendering in particular yellow orange and red. Food sales areas, fruit and veg, bread, furniture, fashion.

SPECIALS

Powerlux can be fitted into custom made ceiling or suspended, panels. Contact our Product Design department for details.



APPLICATIONS

Recommended for shop window displays, fashion shops, food sales, etc.



Telephone Sales on
0113 2450788

Fax: 0113 242 2573



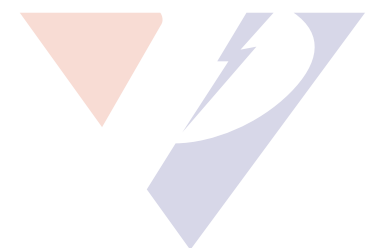
Powerlite Ltd, 122 North Street, Leeds, West Yorkshire, England LS7 1AF
Telephone: 0113 2450788 Fax: 0113 2422573
Email: info@powerlite.net

F14108

ADJUSTABLE HID & LV DOWNLIGHTS


POWERLUX

20-150 watt



Adjustable HID Downlights

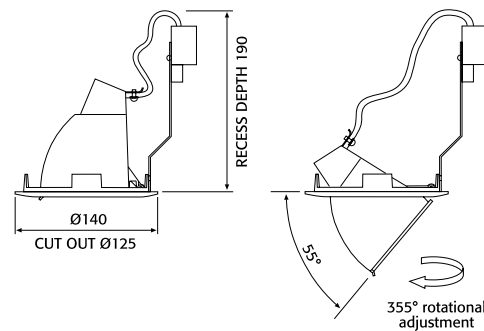
POWERLUX 35

- For 20 & 35 watt G8.5 base compact ceramic metal halide lamps
- Reflector housing has rotational and angular adjustment
- Harmonizes perfectly with Powerlux 150 series
- Spring fixing clips for ease and speed of installation
- Plug in electronic & conventional control gear
- Flood or narrow beam reflectors. Easily changeable without tools
- White to RAL9010 Aluminium to RAL9006. Special colours available on request
- Designed and manufactured by Powerlite in the UK to BS EN 60598-1-2
- Electrical protection Class 1
-  Suitable for mounting on normally flammable surfaces



POWERLUX 35 STANDARD REFLECTOR

Distribution	Max. illuminance	20 & 35W	
		20W	35W
1.0m			
2.0m	—	650	1130
3.0m	—	280	500
4.0m	—	160	280
5.0m	—	105	180



CONVENTIONAL ELECTROMAGNETIC CONTROL GEAR

	20W	35W
White	N/A	MCA35
Aluminium	N/A	MCA39

N.B Lamp is not included

Electromagnetic Control Gear

Self contained unit incorporating ballast, ignitor, capacitor, auto-resetting thermal trip and pre-wired for plug and socket connection to luminaire.

ELECTRONIC CONTROL GEAR

	20W	35W
White	MCA20EB	MCA35EB
Aluminium	MCA24EB	MCA39EB

N.B Lamp is not included

Electronic Control Gear - Main Benefits

- Flicker free, stable-running conditions, increased lamp life (by approx 50%)
- Reduced power consumption, light weight, quicker re-strike time (by approx 50%)
- Plug and socket connection to luminaire

POWERLUX 35 NARROW BEAM REFLECTOR (/NB)




For more intense accent lighting specify a **narrow beam reflector** by adding the suffix **/NB** to the code no. e.g. **MCA35/NB**.

Reflectors are interchangeable without the need for tools.

Distribution	Max. illuminance	20 & 35W/NB	
		20W	35W
1.0m			
2.0m	—	2860	5000
3.0m	—	1250	2200
4.0m	—	750	1250
5.0m	—	460	800

Adjustable HID Downlights

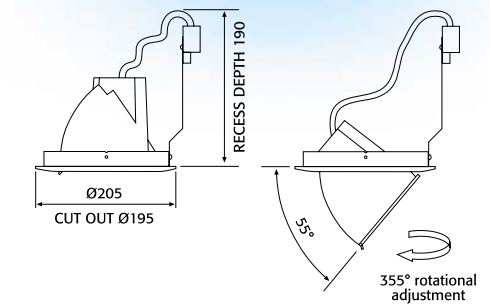
POWERLUX 150

- For 35, 70 and 150 G12 base compact metal halide lamps and 50 and 100 watt mini white SON lamps
- Reflector housing has rotational and angular adjustment
- Die-cast aluminium ensures style, rigidity, accuracy, consistency of finish, resistance to heat and corrosion
- Spring fixing clips for ease and speed of installation
- Plug in control gear packs with electronic or conventional electromagnetic control gear
- Wide or narrow beam reflectors easily changeable without tools
- White to RAL9010 Aluminium to RAL9006. Special colours available on request
- Designed and manufactured by Powerlite in the UK to BS EN 60598-1-2
- Electrical protection Class 1
-  Suitable for mounting on normally flammable surfaces



POWERLUX 150 STANDARD REFLECTOR

Distribution	Max. illuminance	35, 70 & 150W		
		35W	70W	150W
1.0m				
2.0m	—	680	1230	2550
3.0m	—	300	550	1130
4.0m	—	170	310	630
5.0m	—	100	200	400



CONVENTIONAL ELECTROMAGNETIC CONTROL GEAR

	Metal Halide		
	35W	70W	150W
White	MHA35	MHA70	MHA150
Aluminium	MHA39	MHA74	MHA154

N.B. Lamp is not included

ELECTRONIC CONTROL GEAR

	Metal Halide			Mini White SON*	
	35W	70W	150W	50W	100W
White	MHA35EB	MHA70EB	MHA150EB	MWA50	MWA100
Aluminium	MHA39EB	MHA74EB	MHA154EB	MWA54	MWA104

NB. Lamp is not included * Electronic control gear only

< For more detailed information on Control Gear see opposite page

POWERLUX 150 NARROW BEAM REFLECTOR (/NB)

For more intense accent lighting specify a narrow beam reflector by adding the suffix **/NB** to the code no. e.g. **MHA70/NB**
Reflectors are interchangeable without the need for tools.

Distribution	Max. illuminance	35 & 70W/NB	
		35W	70W
1.0m			
2.0m	—	5200	9400
3.0m	—	2300	4200
4.0m	—	1300	2300
5.0m	—	830	1500

Distribution	Max. illuminance	150W/NB
		150W
1.0m		
2.0m	—	14000
3.0m	—	6200
4.0m	—	3500
5.0m	—	2200

LOW VOLTAGE FOR 111 ALUMINIUM REFLECTOR LAMPS (NOT INCLUDED)



	12V	
	35W & 50W	75W & 100W
White	MLV50	MLV100
Aluminium	MLV54	MLV104

Electronic transformer included

CDM-AR111

- New generation ceramic arc tube discharge lamps with integral high purity reflector for precise beam control
- Please contact us for details

WALL FLOOD REFLECTORS

- Produces rectangular distribution to flood walls or vertical displays.
- To specify add suffix **/WF** to product code e.g. **MHA154/WF**