



Qwikline II
Consumer units
Selection and technical guide



SQUARE D

Qwikline II Selector

Select consumer unit

Insulated units



Standard		Split Load			Dual Incomer		
Ref. No.	No. Ways	Ref No.	No. Ways		Ref No.	No. Ways	
			Cir A	RCD Ways		Cir A	Cir B
SQO2	2	SQOS2R4	2	4	SQO204	2	4
SQO4	4	SQOS3R3	3	3	SQO303	3	3
SQO6	6	SQOS4R2	4	2	SQO402	4	2
SQO8	8	SQOS4R6	4	6	SQO406	4	6
SQO12	12	SQOS5R5	5	5	SQO505	5	5
SQO16	16	SQOS6R4	6	4	SQO604	6	4
SQO23	24	SQOS7R3	7	3	SQO703	7	3
		SQOS7R7	7	7	SQO707	7	7

Metal units



Standard		Split Load		Dual Incomer			Multi Tariff				
Ref. No.	No. Ways	Ref No.	No. Ways		Ref No.	No. Ways		Ref No.	No. Ways		
			Cir A	RCD Ways		Cir A	Cir B		Cir A	Cir B	Cir C
SQOM2	2	SQOMS4R6	4	6	SQOM406	4	6	SQOM60501	6	5	1
SQOM4	4	SQOMS5R5	5	5	SQOM505	5	5	SQOM70401	7	4	1
SQOM6	6	SQOMS6R4	6	4	SQOM604	6	4	SQOM80301	8	3	1
SQOM8	8	SQOMS7R7	7	7	SQOM707	7	7				
SQOM12	12										
SQOM16	16										

* Flush mounted standard metal consumer units are available by adding an 'F' suffix to the above part numbers.
e.g. SQOM2F = 2 way Flush Mounted Unit.

Select Incoming devices

Incoming devices



Ref. No	Description	No. Poles	Current Rating
SQO1100M	2 pole switch disconnecter	2	100A
SQO1100L	2 pole terminal block	2	100A
SQOE100030	RCCB	2	100A, 30mA
SQOE100100	RCCB	2	100A, 100mA
SQOE100300	RCCB	2	100A, 300mA
SQOE100100S	RCCB	2	100A, 100mA TD
SQOE063030	RCCB	2	63A, 30mA
SQOE063100	RCCB	2	63A, 100mA

NOTE: All Qwikline II consumer units are supplied without incoming devices. Any incoming device may be installed at the incoming point, or busbar split in any Qwikline II consumer unit.

Requirements

- Standard Units** – 1 incoming device required.
- Dual Incomer Units** – 2 incoming devices required.
- Split Load Units** – 1 main incoming device and 1 busbar split device required.
- Multi Tariff Units** – 3 incoming devices required.

Select outgoing devices

MCBs (B curve)



Ref. No	Description	No. Poles	Curve Type	Current Rating
SQO103EB6	MCB	1	B	3A
SQO106EB6	MCB	1	B	6A
SQO110EB6	MCB	1	B	10A
SQO116EB6	MCB	1	B	16A
SQO120EB6	MCB	1	B	20A
SQO132EB6	MCB	1	B	32A
SQO140EB6	MCB	1	B	40A
SQO150EB6	MCB	1	B	50A

MCBs (C curve)



Ref. No	Description	No. Poles	Curve Type	Current Rating
SQO103EC6	MCB	1	C	3A
SQO106EC6	MCB	1	C	6A
SQO110EC6	MCB	1	C	10A
SQO116EC6	MCB	1	C	16A
SQO120EC6	MCB	1	C	20A
SQO132EC6	MCB	1	C	32A
SQO140EC6	MCB	1	C	40A
SQO150EC6	MCB	1	C	50A

RCBOs (B curve)



Ref. No	Description	No. Poles	Curve Type	Current Rating
SQOR106B03	RCBO (30mA)	1	B	6A, 30mA
SQOR110B03	RCBO (30mA)	1	B	10A, 30mA
SQOR116B03	RCBO (30mA)	1	B	16A, 30mA
SQOR120B03	RCBO (30mA)	1	B	20A, 30mA
SQOR132B03	RCBO (30mA)	1	B	32A, 30mA
SQOR145B03	RCBO (30mA)	1	B	45A, 30mA

Select control devices and accessories

Control devices



Reference No.	Device	Ways Occupied
CCN225	2P 25A Contactor	1
CCN425	4P 25A Contactor	2
CCN240	2P 40A Contactor	2
CCN340	3P 40A Contactor	3
CCN440	4P 40A Contactor	3
CCN363	3P 63A Contactor	4
CIR116	1P Impulse relay (16A)	1
CIR216	2P Impulse relay (16A)	1
CCR110	1P Changeover relay (10A)	1
CBL8	Bell (8V)	1
CBX8	Transformer 240-8V (8VA)	2
CBZ8	Buzzer (8V)	1
CLS110	Light sensitive switch	3.5
CTS24	Single pole time switch	1
CPT1	Single channel electrical time switch	2.5
CPT2	Dual channel electrical time switch	2.5
CDT116	1P Delay off timer	1

Accessories

NOTE: All control devices are suitable for mounting in any Qwikline II consumer unit.

Reference No.	Device	Ways Occupied
SQODNBP	DIN Blanking Plates	5
CPS9	Half Mod Spacer	0.5
QOEPLA	Padlock Device (Suitable for use with all Qwikline II Devices)	–
QOPL	Padlock	–

Square D – Serving Your Needs

To help electrical contractors and installers Square D provide:

- An extensive range of safe and easy to install products.
- Readily available products from our authorised distributors.
- Distributor staff training to help develop familiarity and the ability to promptly resolve queries.
- A team of Sales engineers to support both distributors and electrical contractors
- A ready assembled product service for applications requiring either
 - Non-standard products
 - Completely assembled products to help reduce site installation time.



Square D - The right connection



Contents

General specification & product features 3 - 4

Standard units 5 - 6

Split load units 7 - 8

Dual incomer units 9 - 10

Incoming devices 11

Outgoing devices 12

Protection and control guidance 13

Control devices & accessories 14

Dimensions 15 - 16

Unit mounted RCCB's & enclosures 17

Other Square D products 18

The Universal solution

Rigorous concept testing and nationwide trials with all types of electrical contractors has produced a consumer unit design which meets international testing standards and provides unique additional features which offer universal solutions to modern day installation problems.

Combined with these numerous new features the flexibility of the range provides additional levels of safety which leave specifiers safe in the mind that the occupier of the premises is protected from dangers which may manifest from lesser electrical installations.

Qwikline II brings the benefit of:

A raised busbar assembly

- Easier rear cable entry.
- A means of passing cables underneath, rather than round incoming and outgoing devices.
- Increased cable space for larger incoming cables, reducing stress on devices, cables and enclosure sides.
- Proven technology, maintained speed of installation, and guaranteed connections through Plug-On devices.
- Increased device stability through the introduction of a security clip.

Clip on control devices requiring

- No additional mounting accessories
- No busbar adaption
- No separate enclosures or multi service consumer units. Simply clip into place at any outgoing way. A comprehensive range of products for domestic and light commercial applications are available.

Totally encapsulated busbar system

- Unique busbar assembly design providing guaranteed electrical connections and protection against accidental direct contact.
- Internal finger safety to IP2XB.

A comprehensive range of RCCB's and RCBO's

- Supplementary protection against electric shock through direct contact with live parts.
- Protection against the harmful effects of electric shock through indirect contact.
- Protection against fire resulting from faulty or damaged electrical appliances.

Increased cable capacity

- Earth and neutral bars terminals accept up to 25mm² outgoing cables.

Compliance with the latest national and international standards

- Consumer units – BS EN 60439-3.
- MCB's – BS EN 60898.
- RCCB's – BS EN 61008.
- RCBO's – BS EN 61009.
- Switch Disconnector – BS EN 60947-3.

Devices with high current limiting capabilities

- Class 3 (best classification to BS EN 60898), regardless of curve type.
- Enables smaller cables to be used when compared with the performance of other manufacturer's devices.
- Applicable to Qwikline II MCBs and RCBOs.

Modern Styling

- Produced as a result of comprehensive market research.
- Modern design.
- Neutral colour for unobtrusive mounting on any wall colouring.



Features and benefits

- Fully type tested to BS EN 60439-3 and CM16 tests which subject the unit and incoming/outgoing devices to a 16kA through fault.
- Unrestricted cable entry can be made from any side, or any one of up to 12 rear knockouts.
- Totally encapsulated busbar system. provides complete finger safety to IP2XB, bringing new levels of safety to consumer unit design.
- Incoming devices may now be ordered separately giving over 1000 combinations from a mere 46 references.
- New single pole RCBO. Tested to the latest international standards BS EN 61009.
- New MCB/RCBO fixing system. Retains Plug-On philosophy for speed of installation and guaranteed connections. Provides the additional benefit of a rear clip which increases device security once plugged on.
- Control devices may be installed on any outgoing way. No extra mounting accessories required.
- Insulated units incorporate a unique raised busbar assembly which assists greatly when cable entry is made from above, below or behind the consumer unit.



SP&N standard consumer units

Insulated Units

Reference No.	No. Ways	Height	Dimensions mm Width	Depth
SQO2	2	240	189	127
SQO4	4	240	224	127
SQO6	6	240	260	127
SQO8	8	240	296	127
SQO12	12	240	368	127
SQO16	16	240	440	127
SQO23	24	480	368	127

Metal Units

Reference No.	No. Ways	Height	Dimensions mm Width	Depth
SQOM2	2	247	186	111
SQOM4	4	247	222	111
SQOM6	6	247	258	111
SQOM8	8	247	294	111
SQOM12	12	247	366	111
SQOM16	16	247	438	111

NOTE :

Incoming and outgoing devices must be selected separately from the devices section (page 11 & 12).

Incoming devices available

*Switch disconnect 100A

*Terminal block 100A

*RCCBs 63A/30mA, 63A/100mA, 100A/30mA, 100A/100mA, 100A/300mA, 30-300mA, 100A/100mA TD.



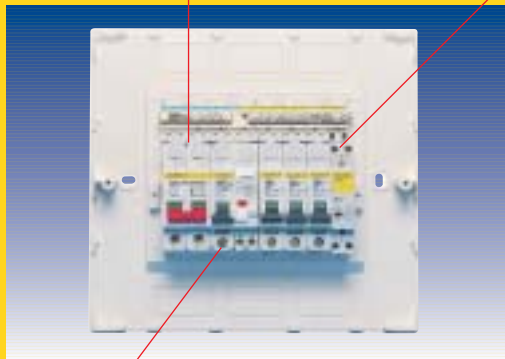


Incoming

- Switch disconnecter – 100A
- Terminal block – 100A
- RCCBs – 63 or 100A/30mA, 100 or 300mA

Control devices

May be installed at any outgoing position.



Outgoing

- MCBs – B or C curve, 3 - 50A, 6kA
- RCBOs – B curve 6 - 45A, 6kA

Technical specification

	Metal	Insulated
Max Busbar Current Rating (A)	100	100
Max Operating Voltage (V)	240	240
Operating Frequency (Hz)	50	50
Max Incoming Cable Capacity mm ²	50	50
Max Outgoing Cable Capacity mm ²	25	25
Certification	BS EN 60439-3	BS EN 60439-3
IP Rating BS EN 60529 (Internal)	2XB	2XB

SP & N split load consumer units

Insulated Units

Reference No.	CIRC. A	No. Ways RCD WAYS	Height	Dimensions mm Width	Depth
SQOS2R4	2	4	240	296	127
SQOS3R3	3	3	240	296	127
SQOS4R2	4	2	240	296	127
SQOS4R6	4	6	240	368	127
SQOS5R5	5	5	240	368	127
SQOS6R4	6	4	240	368	127
SQOS7R3	7	3	240	368	127
SQOS7R7	7	7	240	440	127

Metal Units

Reference No.	CIRC. A	No. Ways RCD WAYS	Height	Dimensions mm Width	Depth
SQOMS4R6	4	6	247	366	111
SQOMS5R5	5	5	247	366	111
SQOMS6R4	6	4	247	366	111
SQOSMS7R7	7	7	247	438	111

Note :

Split load units are now supplied **without** incoming devices. These should be selected separately from the devices section (pages 11 & 12).

e.g. SQOS2R4 + SQO1100M + SQOE063030 = 2+4 split load insulated consumer unit supplied with site installable switch disconnector and 63A 30mA RCCB.

Any RCCB may be selected as the main incomer or split portion device.

Residual current devices (RCCBs and RCBOs) provide reassuring protection against the harmful effects of electric shock and also the outbreak of fire from an electrical fault.



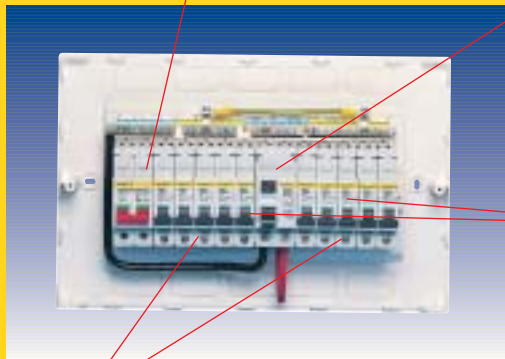


Incoming

- Switch disconnecter – 100A
- Terminal block – 100A
- RCCBs – 63 or 100A/30, 100 or 300mA

Split

- RCCB – 63 or 100A/30, 100 or 300mA.



Outgoing

- MCBs – B or C curve, 3 - 50A
- RCBOs – B curve 45,6kA

Control

Devices may be installed at any outgoing point on the RCD protected or unprotected side.

Technical specification

	Metal	Insulated
Construction		
Max Busbar Current Rating (A)	100	100
Max Operating Voltage (V)	240	240
Operating Frequency (Hz)	50	50
Max Incoming Cable Capacity mm ²	50	50
Max Outgoing Cable Capacity mm ²	25	25
Certification	BS EN 60439-3	BS EN 60439-3
IP Rating BS EN 60529 (Internal)	2XB	2XB

SP&N Dual incomer and multi tariff consumer units

Insulated Units

Reference No.	CIRC. A	No. Ways CIRC. B	CIRC. C	Height	Dimensions mm Width	Depth
Dual Incomer						
SQO204	2	4	-	240	296	127
SQO303	3	3	-	240	296	127
SQO402	4	2	-	240	296	127
SQO406	4	6	-	240	368	127
SQO505	5	5	-	240	368	127
SQO604	6	4	-	240	368	127
SQO703	7	3	-	240	368	127
SQO707	7	7	-	240	440	127

Metal Units

Reference No.	CIRC. A	No. Ways CIRC. B	CIRC. C	Height	Dimensions mm Width	Depth
Dual Incomer						
SQOM406	4	6	-	247	378	111
SQOM505	5	5	-	247	378	111
SQOM604	6	4	-	247	378	111
SQOM707	7	7	-	247	450	111
Multi Tariff						
SQOM60501	6	5	1	247	450	111
SQOM70401	7	4	1	247	450	111
SQOM80301	8	3	1	247	450	111

Note :

Incoming and outgoing devices must be selected separately from the devices section (pages 11 & 12).

Universal energy efficiency and management for heating systems through dual or multi supplies, combined with a range of control devices.



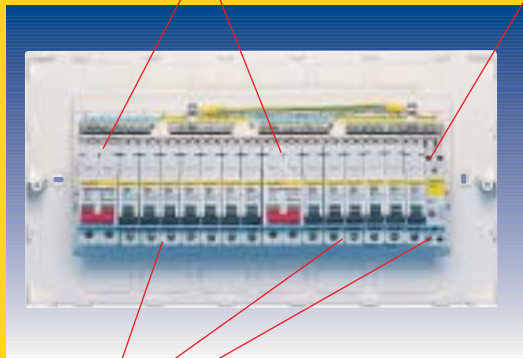


Incoming

- Switch disconnecter – 100A
- Terminal block – 100A
- RCCBs – 63 or 100A/30mA, 100 or 300mA

Control Devices

May be installed at any outgoing position.



Outgoing

- MCBs – B or C curve, 3 - 50A, 6kA
- RCBOs – B curve 6 - 45A, 6kA

Technical specification

	Metal	Insulated
Max Busbar Current Rating (A)	100	100
Max Operating Voltage (V)	240	240
Operating Frequency (Hz)	50	50
Max Incoming Cable Capacity mm ²	50	50
Max Outgoing Cable Capacity mm ²	25	25
Certification	BS EN 60439-3	BS EN 60439-3
IP Rating BS EN 60529 (Internal)	2XB	2XB

Incoming devices - selection and protection guidance



Reference No.	Description	No. Poles	Current Rating	Operating Voltage	Max. Cable Cap. mm ²	standards Approval	Width (17.5mm mods)	Weight kg
SQO1100M	Switch Dis.	2	100A	230/240V	50mm ²	BS EN 60947-3	2	0.28
SQO1100L	Term Block	2	100A	230/240V	50mm ²	-	2	0.28
SQOE100030	RCCB	2	100A, 30mA (AC class)	230/240V	50mm ²	BS EN 61008	2	0.28
SQOE100100	RCCB	2	100A, 100mA (AC class)	230/240V	50mm ²	BS EN 61008	2	0.28
SQOE100300	RCCB	2	100A, 300mA (AC class)	230/240V	50mm ²	BS EN 61008	2	0.28
SQOE100100S	RCCB	2	100A, 100mA TD (AC class)	230/240V	50mm ²	BS EN 61008	2	0.28
SQOE063030	RCCB	2	63A, 30mA (AC class)	230/240V	35mm ²	BS EN 61008	2	0.28
SQOE063100	RCCB	2	63A, 100mA (AC class)	230/240V	35mm ²	BS EN 61008	2	0.28

Note :

All Qwikline II consumer units are supplied without incoming devices. Any incoming device may be installed at any incoming point, or busbar split in any Qwikline II consumer unit.

Requirements

Standard Units – 1 incoming device required.

Dual Incomer Units – 2 incoming devices required.

Split Load Units – 2 incoming devices required.

Multi Tariff Units – 3 incoming devices required.

Residual Current Device Applications

Residual current devices can be broken into two main types:

RCCBs – Residual Current Circuit Breakers

RCBOs – Residual Current Circuit Breaker with integral Overload protection

Depending upon the sensitivity of the RCD chosen, protection against electric shock and/or the outbreak of fire from an electrical fault can be provided.

30mA – Protection against electric shock. Provides supplementary protection against direct contact (barriers or some other means of preventing physical contact must be provided as the primary protective means), and protection against indirect contact i.e. automatically disconnects the supply where a piece of metal work, which is not intended to be a conductor, becomes live. Also provides protection against the outbreak of fire through electrical fault.

100mA – Normally used to provide earth fault protection for a group of circuits rather than individual ones. Although not as effective as 30mA devices, limited protection against electric shock is provided, together with protection against the outbreak of fire.

300mA – Upper limit of protection against the risk of fire due to electrical fault, no shock protection is afforded. Generally 300mA devices might be used as the main incoming device to electrical installations. 300mA devices bring the benefit of reacting far more quickly than an overload device, should a fault occur which might cause combustion. 30mA and 100mA automatically bring protection against fire due to their high sensitivity levels.

As with circuit breakers and fuses, it is possible to achieve discrimination levels with residual current devices. Generally the rule of thumb for obtaining discrimination between devices is that the upstream device must have a sensitivity equal to at least half that of the downstream, and should include an intentional time delay. Therefore a 100mA TD device would discriminate with a 30mA downstream device.

Qwikline II Split Load Consumer Units now offer the benefit of being able to site install low sensitivity RCCBs at the incoming point, with high sensitivities on outgoing or at the busbar split point.

Outgoing devices – selection and technical data

Service currents for outgoing devices at given ambient air temperature.

SQD Miniature Circuit Breakers (B curve)

Ref No.	Device type	No poles	Curve type	Current rating	Operating voltage	Breaking cap. Icn (kA)	Max. cable cap. mm ²	Standards Approval	weight kg
SQO103EB6	MCB	1	B	3A	230/240V	6	25mm ²	BS EN 60898	0.14
SQO106EB6	MCB	1	B	6A	230/240V	6	25mm ²	BS EN 60898	0.14
SQO110EB6	MCB	1	B	10A	230/240V	6	25mm ²	BS EN 60898	0.14
SQO116EB6	MCB	1	B	16A	230/240V	6	25mm ²	BS EN 60898	0.14
SQO120EB6	MCB	1	B	20A	230/240V	6	25mm ²	BS EN 60898	0.14
SQO132EB6	MCB	1	B	32A	230/240V	6	25mm ²	BS EN 60898	0.14
SQO140EB6	MCB	1	B	40A	230/240V	6	25mm ²	BS EN 60898	0.14
SQO150EB6	MCB	1	B	50A	230/240V	6	25mm ²	BS EN 60898	0.14

SQD Miniature Circuit Breakers (C curve)

Ref No.	Device type	No poles	Curve type	Current rating	Operating voltage	Breaking cap. Icn (kA)	Max. cable cap. mm ²	Standards Approval	weight kg
SQO103EC6	MCB	1	C	3A	230/240V	6	25mm ²	BS EN 60898	0.14
SQO106EC6	MCB	1	C	6A	230/240V	6	25mm ²	BS EN 60898	0.14
SQO110EC6	MCB	1	C	10A	230/240V	6	25mm ²	BS EN 60898	0.14
SQO116EC6	MCB	1	C	16A	230/240V	6	25mm ²	BS EN 60898	0.14
SQO120EC6	MCB	1	C	20A	230/240V	6	25mm ²	BS EN 60898	0.14
SQO132EC6	MCB	1	C	32A	230/240V	6	25mm ²	BS EN 60898	0.14
SQO140EC6	MCB	1	C	40A	230/240V	6	25mm ²	BS EN 60898	0.14
SQO150EC6	MCB	1	C	50A	230/240V	6	25mm ²	BS EN 60898	0.14

SQD RCBO'S

Ref No.	Device type	No poles	Curve type	Current rating	Operating voltage	Breaking cap. Icn (kA)	Max. cable cap. mm ²	Standards Approval	weight kg
SQOR106B03	RCBO	1	B	6A, 30mA (AC class)	230/240V	6	10mm ²	BS EN 61009	0.28
SQOR110B03	RCBO	1	B	10A, 30mA (AC class)	230/240V	6	10mm ²	BS EN 61009	0.28
SQOR116B03	RCBO	1	B	16A, 30mA (AC class)	230/240V	6	10mm ²	BS EN 61009	0.28
SQOR120B03	RCBO	1	B	20A, 30mA (AC class)	230/240V	6	10mm ²	BS EN 61009	0.28
SQOR132B03	RCBO	1	B	32A, 30mA (AC class)	230/240V	6	10mm ²	BS EN 61009	0.28
SQOR145B03	RCBO	1	B	45A, 30mA (AC class)	230/240V	6	10mm ²	BS EN 61009	0.28

Continuous ratings of consumer units

Continuous current rating in accordance with BS EN 60439-3.

For continuous ratings please consult our techno commercial department Tel. 01902 393468.

I²t Let through values of SQD MCBs @ 230.240V under short circuit conditions

Fault level (kA) rating (A)	2	4 (A2s/1000)	6
6	4	7	9
10	6	12	17
16	7	16	23
20	7	16	23
32	10	23	32.5
40	10	23	32.5
50	13	28	35

Energy let through classifications

Square D SQO MCBs have an energy limiting classification of “3”, this is the highest current limiting classification in accordance with BS EN 60898.

Compared with the protection offered by lower classification devices, MCBs having a current limiting class of “3” may be used to offer protection to cables having a smaller cross sectional area, thereby reducing installation costs.

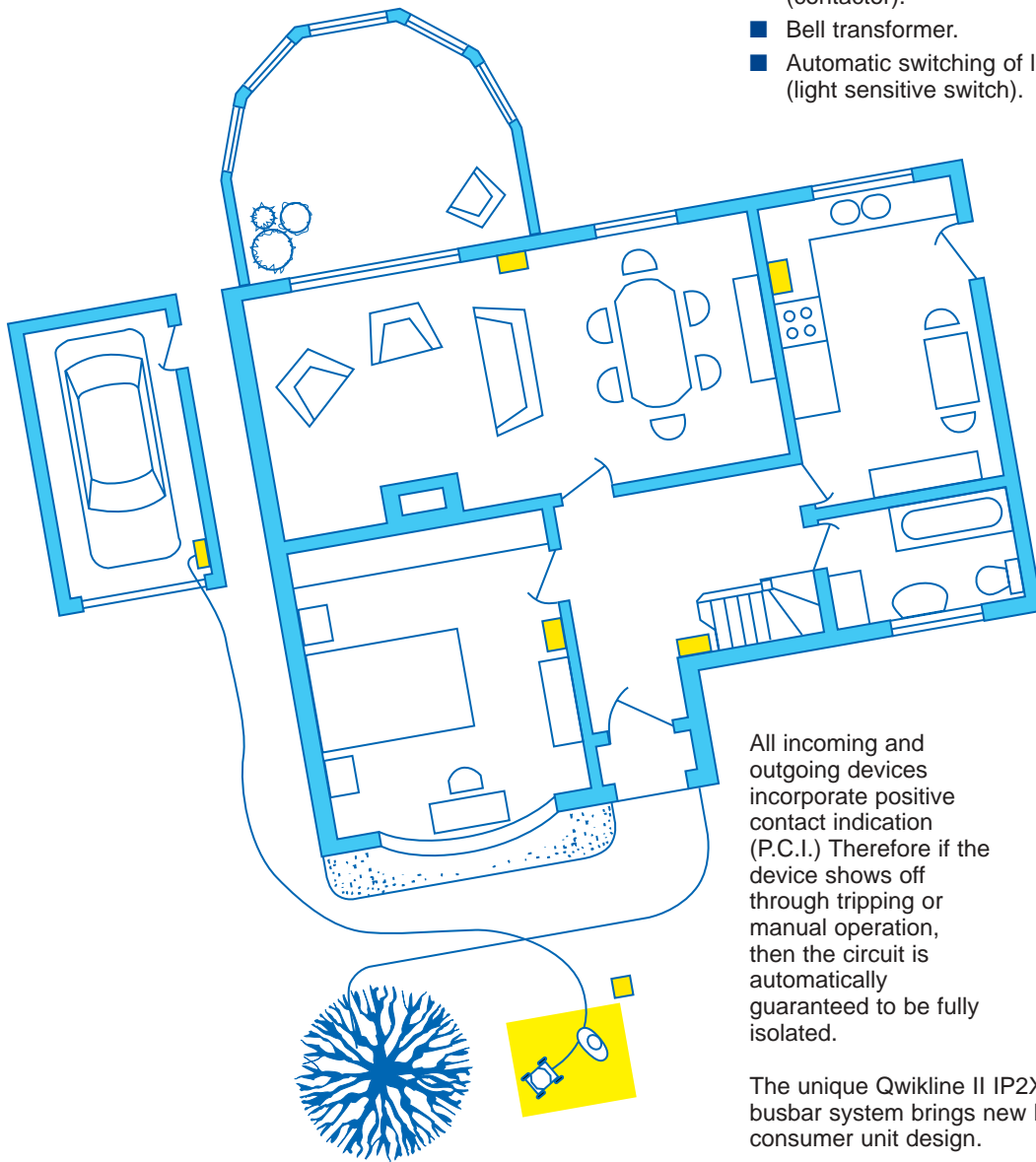
To provide adequate short circuit protection for a conductor, the I²t value of the MCB should always be less than the K²S² value of the conductor (as stated in BS 7671).

Universal Control and Protection Around the Home

RCCBs and RCBOs offer protection against electric shock, and the outbreak of fire through electrical fault.

A range of control devices are available to meet energy management requirements around the home. No special on site adaption or dedicated consumer unit is required to hold control devices. Typical applications include:

- Timed control of heating systems and pumps (time switch).
- Control of motorised garage doors (contactor).
- Bell transformer.
- Automatic switching of lighting at dusk (light sensitive switch).



All incoming and outgoing devices incorporate positive contact indication (P.C.I.) Therefore if the device shows off through tripping or manual operation, then the circuit is automatically guaranteed to be fully isolated.

The unique Qwikline II IP2XB encapsulated busbar system brings new levels of safety to consumer unit design.

Mains powered smoke alarms are now statutory requirements for all new houses built. The use of a split load consumer unit means that the power supply to a smoke alarm can be maintained in the event of the RCD having been tripped through a fault at a socket outlet.

Modern, unobtrusive aesthetics make Qwikline II consumer units the ideal device for new home, whilst its unique design makes replacement of existing units in older premises simple.

Control Devices and Accessories

Control devices may be installed at any outgoing position in any consumer unit.
No additional mounting accessories are required.

Control Devices

Reference no.	Device	Current rating	Operating voltage	Width 17.5mm mods.	Weight kg
CCN225	2P contactor	25A	240V	1	0.11
CCN425	4P contactor	25A	240V	2	0.15
CCN240	2P contactor	40A	240V	2	0.22
CCN340	3P contactor	40A	240V	3	0.28
CCN440	4P contactor	40A	240V	3	0.3
CCN363	3P contactor	63A	240V	4	1.34
CIR116	1P impulse relay	16A	240V	1	0.111
CIR216	2P impulse relay	16A	240V	1	0.111
CCR110	1P changeover relay	10A	240V	1	0.116
CDT116	1P Delay off timer	16A	240V	1	0.071
CBL8	Bell	-	8V	1	0.072
CBX8	Transformer 240-8V (8VA)	-	240V	2	0.243
CBZ8	Buzzer	-	8V	1	0.076
CLS110	Light Sensitive Switch	10A	240V	3.5	0.3
CTS24	Single pole time switch	16A	240V	1	0.076
CPT1	Single channel elec. time sw.	16A	240V	2.5	0.15
CPT2	Dual channel elec. time sw.	10A	240V	2.5	0.15

Accessories

Reference No.	Device	Width 17.5mm MODS.
SQODNBP	DIN blanking plate	5
CPS9	half mod spacer	0.5
QOEPLA	Padlocking device (Suitable for use with all Qwikline II devices)	-
QOPL	Padlock	-



Insulated Units

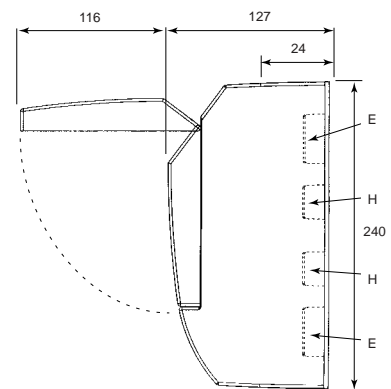
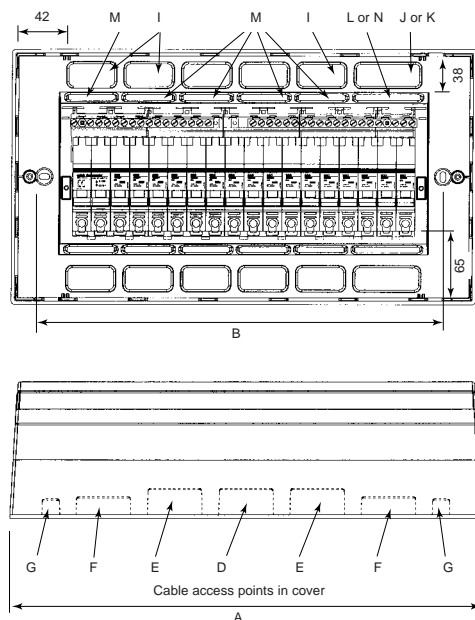
Reference No.	No. Ways	Type	Dimensions A	B
SQO2	2	Standard	189	126
SQO4	4	Standard	224	162
SQO6	6	Standard	260	198
SQO8	8	Standard	296	234
SQO12	12	Standard	368	306
SQO16	16	Standard	440	378
SQO23	24	Standard	368	306
SQO204	2+4	Dual	296	234
SQO303	3+3	Dual	296	234
SQO402	4+2	Dual	296	234
SQO406	4+6	Dual	368	306
SQO505	5+5	Dual	368	306
SQO604	6+4	Dual	368	306
SQO703	7+3	Dual	368	306
SQO707	7+7	Dual	440	378
SQOS2R4	2+4	Split	296	234
SQOS3R3	3+3	Split	296	234
SQOS4R2	4+2	Split	296	234
SQOS4R6	4+6	Split	368	306
SQOS5R5	5+5	Split	368	306
SQOS6R4	6+4	Split	368	306
SQOS7R3	7+3	Split	368	306
SQOS7R7	7+7	Split	440	378

Type	Cable Entry Dimensions											
	D	E	F	G	H	I	J	K	L	M	N	
2 Way		6		4	6	2	2		2	2		
4 way		6		4	8	4					4	
6 Way	2	8		4	4	6					6	
8 Way	2	4	4	4	4	6	2		2	6		
12 Way	4	6	2	4	4	10				10		
16 Way	6	4	4	4	4	10		2		10	2	

Cable Entry Sizes (mm)			
D	23 x 51	J	25 x 30
E	15 x 38	K	25 x 65
F	15 x 51	L	13 x 30
G	13 x 16	M	13 x 48
H	15 x 25	N	13 x 65
I	25 x 48		

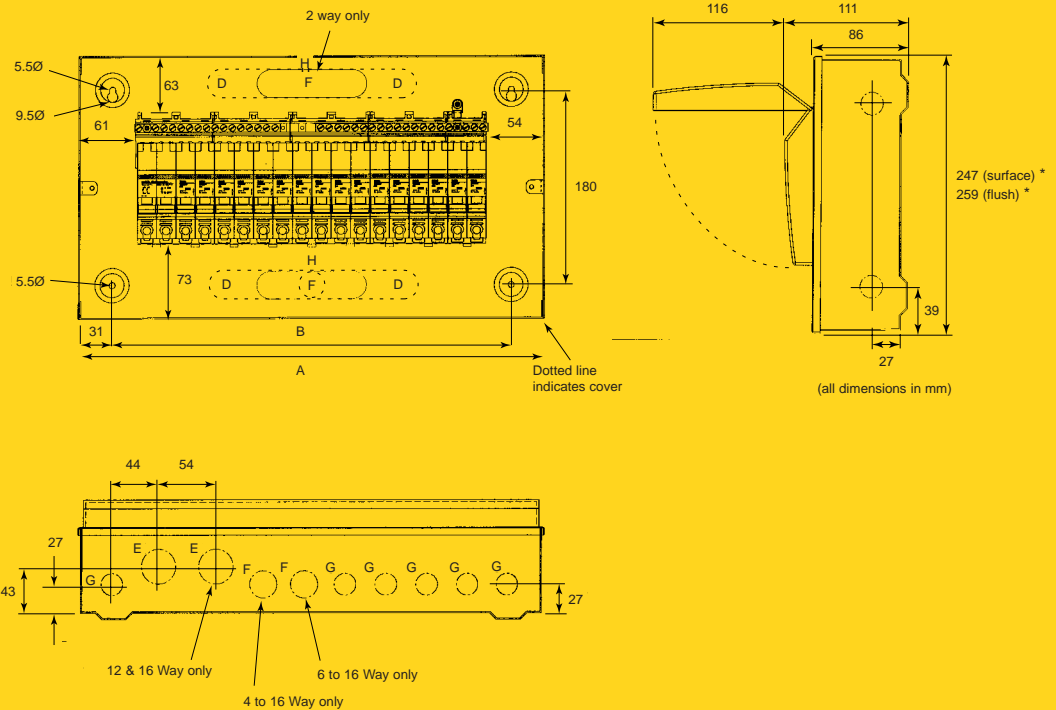
Note :

24 way unit is made up of 2, stacked, 12 way enclosures.
 Knockout quantities for Split load and dual incomer units are obtained by adding the total number of outgoing ways, plus 2 then relating to the table, eg 7+7 ways +2 =16 \ 16 way knockout quantity.



Metal units

Reference No.	No. Ways	Type	Dimensions (mm)		No. Knockouts				
			A	B	D 25Ø x 76	E 32Ø	F 25Ø	G 20Ø	H 25Ø x 192
SQOM2	2	Standard	181	119	-	2	2	8	-
SQOM4	4	Standard	217	155	2	2	2	8	-
SQOM6	6	Standard	253	191	-	2	4	8	-
SQOM8	8	Standard	289	227	-	2	4	10	2
SQOM12	12	Standard	361	299	4	4	4	12	-
SQOM16	16	Standard	433	371	4	4	4	16	-
SQOM2F	2	Flush	198	119	-	2	2	8	-
SQOM4F	4	Flush	234	155	2	2	2	8	-
SQOM6F	6	Flush	270	191	-	2	4	8	2
SQOM8F	8	Flush	306	227	-	2	4	10	2
SQOM12F	12	Flush	378	299	4	4	4	12	-
SQOM16F	16	Flush	450	371	4	4	4	16	-
SQOMS4R6	4+6	Split	378	299	4	4	4	12	-
SQOMS5R5	5+5	Split	378	299	4	4	4	12	-
SQOMS6R4	6+4	Split	378	299	4	4	4	12	-
SQOMS7R7	7+7	Split	450	371	4	4	4	16	-
SQOM406	4+6	Dual	378	299	4	4	4	12	-
SQOM505	5+5	Dual	378	299	4	4	4	12	-
SQOM604	6+4	Dual	378	299	4	4	4	12	-
SQOM707	7+7	Dual	450	371	4	4	4	16	-
SQOM60501	6+5+1	Multi Tariff	450	371	4	4	4	16	-
SQOM70401	7+4+1	Multi Tariff	450	371	4	4	4	16	-
SQOM80301	8+3+1	Multi Tariff	450	371	4	4	4	16	-



*** Note:**
Rear of enclosure = 242mm high

Unit mounted RCCBs and Insulated Enclosures

Unit mounted RCCBs and their associated enclosures offer a cost effective method of supplementing existing installations with the benefits of earth fault protection. Enclosures may be mounted at the incoming point of the installation or locally to the load eg, in garages or sheds with socket outlets.

- Test button enables RCCB to be tested periodically.
- Comply with BS EN 61008. Specification for residual current operated circuit breakers.
- Rated voltage 240/415Vac single/three phase.

For short circuit back-up protection, maximum fuse rating:-

RSD 25A	Fuse to BS 88 Type T 40A or BS 1361 Type RH 30A
RSD 40A	Fuse to BS 88 Type T 50A or BS 1361 Type RH 40A
RSD 63A	Fuse to BS 88 Type T 63A or BS 1361 Type RH 60A
RSD 80A	Fuse to BS 88 Type T 80A or BS 1361 Type RH 80A
RSD 100A	Fuse to BS 88 Type T 100A or BS 1361 Type RH 100A

Residual current breakers

Reference no.	Description	Terminal capacity mm ²	Dimensions mm			Weight kg
			Height	Width	Depth	
RSD25032	25A RCCB 30mA trip 2 POLE	35	81	36	75	0.227
RSD25302	25A RCCB 300mA trip 2 POLE	35	81	36	75	0.227
RSD40032	40A RCCB 30mA trip 2 POLE	35	81	36	75	0.227
RSD40102	40A RCCB 100mA trip 2 POLE	35	81	36	75	0.227
RSD40302	40A RCCB 300mA trip 2 POLE	35	81	36	75	0.227
RSD63032	63A RCCB 30mA trip 2 POLE	35	81	36	75	0.227
RSD63102	63A RCCB 100mA trip 2 POLE	35	81	36	75	0.227
RSD63302	63A RCCB 300mA trip 2 POLE	35	81	36	75	0.227
RSD80032	80A RCCB 30mA trip 2 POLE	50	81	36	75	0.227
RSD80102	80A RCCB 100mA trip 2 POLE	50	81	36	75	0.227
RSD80302	80A RCCB 300mA trip 2 POLE	50	81	36	75	0.227
RSD100032	100A RCCB 30mA trip 2 POLE	50	81	36	75	0.227
RSD100102	100A RCCB 100mA trip 2 POLE	50	81	36	75	0.227
RSD100302	100A RCCB 300mA trip 2 POLE	50	81	36	75	0.227

Individual RCCB Insulated Enclosures

Reference No.	Description	Dimensions mm			Weight kg
		Height	Width	Depth	
RSD2IP40	2x 18mm Module IP40 protection	150	50	60	0.10
RSD4IP54	4x 18mm Module IP54	200	110	112	0.35

A cost effective method of providing earth fault protection for existing single circuits or entire installations.



Other Square D products

LoadCentre KQ Distribution Boards

Single phase

- Totally encapsulated busbar system providing complete finger safety to IP2X.
- Choice of sizes from 6 SP to 24 SP MCB outgoing ways.
- Standard and split busbar arrangements.
- Incoming devices – Terminal blocks, Switch disconnecter or RCD devices.

Three phase

- Totally encapsulated busbar system providing complete finger safety to IP2X.
- Choice of sizes from 4TP to 18TP MCB outgoing ways.
- 3 different types - Standard, Split load and boards complete with a dedicated extension box for control products.
- Incoming devices – Terminal blocks, Switch disconnecter, RCDs, MCCBs and combined MCCB/RCD devices.

Both single and three phase LoadCentre boards accept plug on KQ 10kA outgoing MCB, RCBO and control devices.



Twinbreak and Quadbreak Fusegear

A range of Switch Disconnecter Fuses and Switch Disconnectors supplied complete for individual mounting or for mounting to busbar chambers.



Twinbreak

Full AC 23 ratings (to 100A) AC22 to 160A.

- 20A to 100A Switch disconnecter fuses.
- 20A to 160A Switch disconnectors.
- 160A Busbar chambers.

Quadbreak

Full AC23 ratings (to 630A).

- 63A to 630A Switch disconnecter fuses (Supplied with fuses).
- 63A to 630A Switch disconnectors supplied with isolator links.
- 200A to 800A Busbar chambers.

I Line Panelboards

Choice of either MCCB or Fuse switch Panelboards.

MCCB Panelboards

- Four sizes with incoming devices from 250A to 2000A.
- Outgoing Plug -On single pole and triple MCCB devices.
16A to 1250A
- Full compliment of accessories, cable extension boxes, plinths, side extension boxes, instrumentation kits and blanking plates.

Fuse switch Panelboards

- Four sizes with incoming devices from 400A to 2000A.
- Outgoing Plug On fuse combination units from 32A to 400A.

Clearstart control gear

- Enclosed motor starters – Direct on line, reversing direct and automatic star delta.
- Enclosed heating and lighting contactors.
- Enclosed switch disconnectors.
- Push button stations.



Standard Plus - Ready assembled and custom built distribution boards up to 2000A and Form3Fast factory assembled switchboards up to 2000A from a standard range

- Tailor made solutions to meet specific requirements.
- Direct to site delivery.
- Total project assistance.
- Fast response to quotation requests.
- Fixed delivery times.

For information on any of the above contact:
Tel : 0870 608 8 608



Square D, Fordhouse Road, Wolverhampton,
WV10 9ED. Tel: 0870 608 8 608 Fax: 0870 608 8 606
www.squared.co.uk

