

100mm Mini Duct Fan

Remote Fan for mounting in roof voids, loft spaces or above a shower cubicle.

This single speed fan comes complete with both inlet and outlet grilles, 2 metres flexible ducting and PVC ties, for mounting in situations where the motor/fan assembly requires remote positioning.

APPLICATION

For toilets, small bathrooms, shower rooms or cloakrooms where extraction through the ceiling is required.



A typical shower room installation



PERFORMANCE DATA

MODEL	DESCRIPTION	MOUNTING	EXTRACT PERFORMANCE
MDF	Manual control by external switch (not supplied)	Loft/Ceiling void	15 l/sec, 54m ³ /hr
MDFT	Integral adjustable timer, with light or door switch operation (not supplied)	Loft/Ceiling void	15 l/sec, 54m ³ /hr

MAIN FEATURES

- Complete with inlet and outlet grilles, flexible ducting and fixing kit
- Exceptionally quiet operation for loft or ceiling extraction
- Thermally protected motor
- Greater safety for siting in close proximity to shower cubicles/en-suites
- Fan can be used as an in-line booster
- Adjustable Timer model
- Ductable over 2 metres
- Complies with Building Regulations (F1-1995)
- 3 Year "no quibble" guarantee
- Fixing pack supplied

AIRFLOW™

SPECIALISTS IN AIR MOVEMENT TECHNOLOGY

Airflow Developments Limited, Lancaster Road, Cressex Business Park, High Wycombe, Buckinghamshire HP12 3QP England
Telephone: (Int +44) (UK 0) 1494 525252 - Facsimile: (Int +44) (UK 0) 1494 461073 - E-Mail: info@airflow.co.uk - Web Site: <http://www.airflow.co.uk>

Airflow Lufttechnik GmbH,
Postfach 1208, D-53349 Rheinbach, Germany.
Telefon: 02226/9205-0, Telefax: 02226/9205-11

Airflow Technical Products Inc.,
P.O. Box 372, 219 Route 206, Andover NJ 07821, USA.
Telephone: 973-786-6386. Fax: 973-786-7586

Airflow Lufttechnik GmbH,
o.s. Praha, Hostynská 520, 108 00 Praha 10 - Malešice,
Czech republic. Telefon a fax 02-77 22 30

Airflow Developments Limited reserve the right, in the interests of continuous development, to alter specifications without prior notice. All orders are accepted subject to our conditions of sale which are available on request.



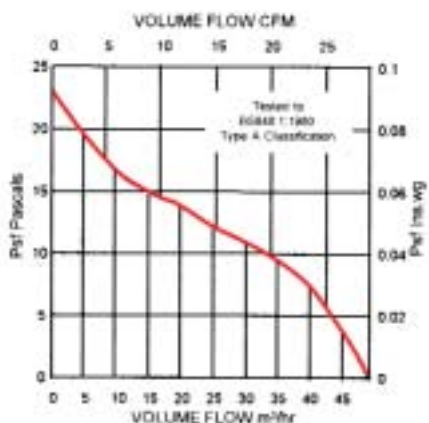
CERTIFICATE 152
BS5750 ISO9001 EN29001

TECHNICAL SPECIFICATION

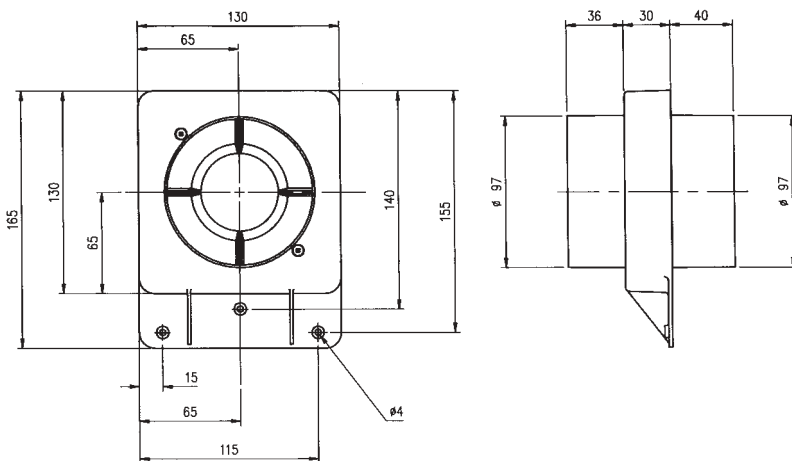
	MDF, MDFT
GENERAL	The Mini Duct Fan contains an assembled fan, a white inlet grille, a grey outlet grille a 2 metre length of flexible ducting and a fixing kit.
WEIGHT	0.6 kg
ELECTRICAL DATA	220-240 Volt 1PH 50 Hz, Consumption 10 Watts, □
SOUND LEVELS	45 dB[A] Max
STANDARDS	ISO5801 1997 BS EN 60335:2:80
SITING/FITTING/ DUCTING	Full details supplied with fan

PERFORMANCE

AIR PERFORMANCE TESTED TO ISO5801 1997. TYPE A



DIMENSIONAL DATA:



CONTROLS



Door Switch

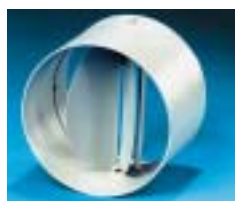


Remote Humidistat



Passive Infra-red

ACCESSORIES



Backdraft Flap



Air Valve

AIRFLOW™

SPECIALISTS IN AIR MOVEMENT TECHNOLOGY

Airflow Developments Limited, Lancaster Road, Cressex Business Park, High Wycombe, Buckinghamshire HP12 3QP England
 Telephone: (Int +44) (UK 0) 1494 525252 - Facsimile: (Int +44) (UK 0) 1494 461073 - E-Mail: info@airflow.co.uk - Web Site: http://www.airflow.co.uk

Airflow Lufttechnik GmbH,
 Postfach 1208, D-53349 Rheinbach, Germany.
 Telefon: 02226/9205-0, Telefax: 02226/9205-11

Airflow Technical Products Inc.,
 P.O. Box 372, 219 Route 206, Andover NJ 07821, USA.
 Telephone: 973-786-6386. Fax: 973-786-7586

Airflow Lufttechnik GmbH,
 o.s. Praha, Hostynská 520, 108 00 Praha 10 - Maleovice,
 Czech republic. Telefon a fax 02-77 22 30

Airflow Developments Limited reserve the right, in the interests of continuous development, to alter specifications without prior notice. All orders are accepted subject to our conditions of sale which are available on request.



CERTIFICATE 152
 BS5750 ISO9001 EN29001