

## 100mm Mini Loovent Fan

"Mini Loovent" - the byword for powerful, reliable ventilation at a surprisingly low cost.

A comprehensive choice of fans and controls, to suit every type of application. Complying with the latest Building Regulations, they provide quiet, efficient extraction of moist air, steam and odours.

### APPLICATION

En-suite and small bathrooms, shower rooms or toilets - with ducting capability in a 'ready to fit' kit.



A typical wall mounted installation



Fan with "make good" bezel



### PERFORMANCE DATA

MODEL	DESCRIPTION	MOUNTING	EXTRACT PERFORMANCE
MLB	Basic Fan for Remote Switching	Window*/Wall/Ceiling	18 l/sec, 65m <sup>3</sup> /hr
MLF	Manual Control – Pull Cord Switch	Window*/Wall/Ceiling	18 l/sec, 65m <sup>3</sup> /hr
MLFT	Adjustable Timer Control Remote or Light Switch Operation	Window*/Wall/Ceiling	18 l/sec, 65m <sup>3</sup> /hr
MLH	Humidity Control – 40% to 90% R.H. (Adjustable Run-on-Timer)	Window*/Wall/Ceiling	18 l/sec, 65m <sup>3</sup> /hr

\* Optional Window Kit available

\*\* Window Hole Diameter 115mm Nominal

### MAIN FEATURES

- Choice of models and controls
- Quiet, compact and powerful ventilation
- Thermally protected motor
- Supplied with 150mm square bezel surround
- Versatile for wall, window and ceiling mounting
- Attractive, low profile styling
- 'Auto' sensitivity reduces unnecessary fan operation overnight (MLH)
- Complies with Building Regulations (F1-1995)
- 3 Year "no quibble" guarantee
- Fixing pack supplied

# AIRFLOW™

SPECIALISTS IN AIR MOVEMENT TECHNOLOGY

Airflow Developments Limited, Lancaster Road, Cressex Business Park, High Wycombe, Buckinghamshire HP12 3QP England  
Telephone: (Int +44) (UK 0) 1494 525252 - Facsimile: (Int +44) (UK 0) 1494 461073 - E-Mail: [info@airflow.co.uk](mailto:info@airflow.co.uk) - Web Site: <http://www.airflow.co.uk>

Airflow Lufttechnik GmbH,  
Postfach 1208, D-53349 Rheinbach, Germany.  
Telefon: 02226/9205-0, Telefax: 02226/9205-11

Airflow Technical Products Inc.,  
P.O. Box 372, 219 Route 206, Andover NJ 07821, USA.  
Telephone: 973-786-6386. Fax: 973-786-7586

Airflow Lufttechnik GmbH,  
o.s. Praha, Hostynská 520, 108 00 Praha 10 - Malešice,  
Czech republic. Telefon a fax 02-77 22 30

Airflow Developments Limited reserve the right, in the interests of continuous development, to alter specifications without prior notice. All orders are accepted subject to our conditions of sale which are available on request.



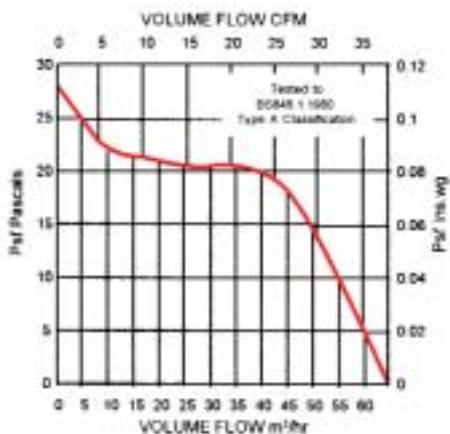
CERTIFICATE 152  
BS5750 ISO9001 EN29001

## TECHNICAL SPECIFICATION

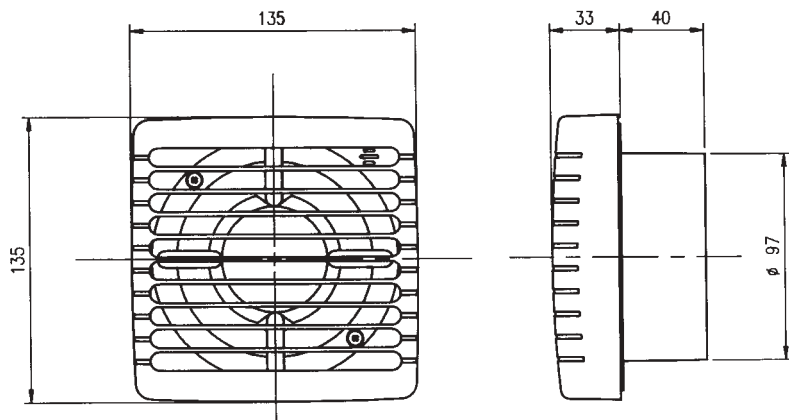
MINI LOOVENT	
<b>GENERAL</b>	Cover moulded in impact resistant ABS, operational in ambient temperatures up to 40°C. All motors are thermally protected. Case to IP44
<b>WEIGHT</b>	0.6kg
<b>ELECTRICAL DATA</b>	220-240 Volt 1PH, 50Hz, Consumption 10 Watts, □
<b>SOUND LEVELS</b>	54 dB[A] Max
<b>STANDARDS</b>	ISO5801 1997 BS EN 60335:2:80
<b>SITING/FITTING/ DUCTING</b>	Full details supplied with fan

## PERFORMANCE

AIR PERFORMANCE TESTED TO ISO5801 1997. TYPE A



## DIMENSIONAL DATA:



## CONTROLS



Door Switch



Remote Humidistat



Passive Infra-red

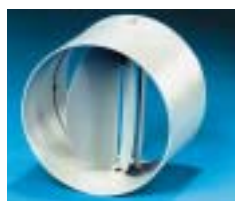
## ACCESSORIES



Wall & Window Fixing kits



Airflex Ducting



Backdraft Flap



Grilles

# AIRFLOW™

SPECIALISTS IN AIR MOVEMENT TECHNOLOGY

Airflow Developments Limited, Lancaster Road, Cressex Business Park, High Wycombe, Buckinghamshire HP12 3QP England  
Telephone: (Int +44) (UK 0) 1494 525252 - Facsimile: (Int +44) (UK 0) 1494 461073 - E-Mail: [info@airflow.co.uk](mailto:info@airflow.co.uk) - Web Site: <http://www.airflow.co.uk>

Airflow Lufttechnik GmbH,  
Postfach 1208, D-53349 Rheinbach, Germany.  
Telefon: 02226/9205-0, Telefax: 02226/9205-11

Airflow Technical Products Inc.,  
P.O. Box 372, 219 Route 206, Andover NJ 07821, USA.  
Telephone: 973-786-6386, Fax: 973-786-7586

Airflow Lufttechnik GmbH,  
o.s. Praha, Hostynská 520, 108 00 Praha 10 - Maleovice,  
Czech republic. Telefon a fax 02-77 22 30

Airflow Developments Limited reserve the right, in the interests of continuous development, to alter specifications without prior notice. All orders are accepted subject to our conditions of sale which are available on request.



CERTIFICATE 152  
BS5750 ISO9001 EN29001