

100mm Roomvent Fan

High performance fans for higher performance ventilation.

This range of centrifugal fans are ideal for larger rooms, or where two-room ventilation is required for example bathroom and adjoining W.C. by connecting the unit to 50mm ducting with an optional secondary inlet grille. The motor, fan and plug-in timer are on a separate chassis for easy installation.

APPLICATION

For bathrooms, toilets and larger rooms, two-room ventilation and commercial premises. .



A typical wall mounted installation



Fan with "make good" bezel



PERFORMANCE DATA

MODEL	DESCRIPTION	MOUNTING	EXTRACT PERFORMANCE
005	Integral adjustable timer, 'standby' fan for light or door switch operation	Wall/Ceiling	22 l/sec, 79m ³ /hr
07	Integral adjustable timer, two room ventilation, for light or door switch operation	Wall/Ceiling	27 l/sec, 97m ³ /hr
WFT	Integral adjustable timer, for light, or door switch operation. Two room option	Wall/Ceiling	48 l/sec, 173m ³ /hr
WF6	Two speed fan for manual control from a remote switch	Wall/Ceiling	High speed 48 l/sec, 173m ³ /hr Low speed 28 l/sec, 101m ³ /hr

MAIN FEATURES

- 07 and WFT model suitable for efficient ventilation of two rooms, using optional kit
- Easy to fit, air brick size case
- Complies with Building Regulations (F1-1995)
- Integral magnetic backdraft flap
- Thermally protected motor
- 3 Year "no quibble" guarantee
- WF6 carries TÜV approval
- Fixing pack supplied
- Supplied with bezel

AIRFLOW™

SPECIALISTS IN AIR MOVEMENT TECHNOLOGY

Airflow Developments Limited, Lancaster Road, Cressex Business Park, High Wycombe, Buckinghamshire HP12 3QP England
Telephone: (Int +44) (UK 0) 1494 525252 - Facsimile: (Int +44) (UK 0) 1494 461073 - E-Mail: info@airflow.co.uk - Web Site: <http://www.airflow.co.uk>

Airflow Lufttechnik GmbH,
Postfach 1208, D-53349 Rheinbach, Germany.
Telefon: 02226/9205-0, Telefax: 02226/9205-11

Airflow Technical Products Inc.,
P.O. Box 372, 219 Route 206, Andover NJ 07821, USA.
Telephone: 973-786-6386. Fax: 973-786-7586

Airflow Lufttechnik GmbH,
o.s. Praha, Hostynská 520, 108 00 Praha 10 - Malešice,
Czech republic. Telefon a fax 02-77 22 30

Airflow Developments Limited reserve the right, in the interests of continuous development, to alter specifications without prior notice. All orders are accepted subject to our conditions of sale which are available on request.



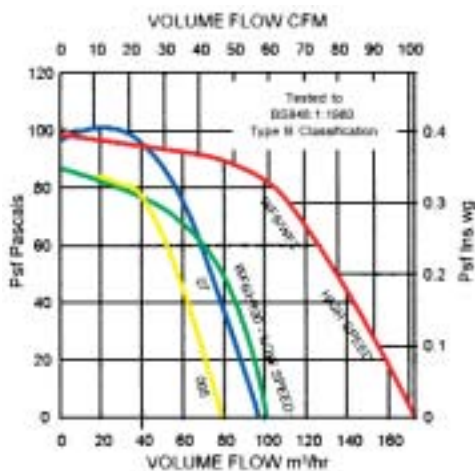
CERTIFICATE 152
BS5750 ISO9001 EN29001

TECHNICAL SPECIFICATION

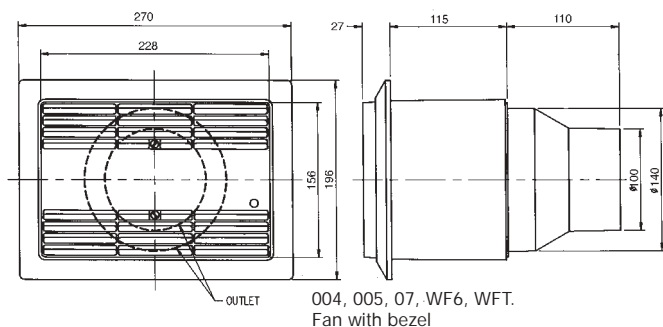
	005, 07, WFT WFT6
GENERAL	Powerful centrifugal fan moulded in high impact ABS, case to IP44
WEIGHT	3.2 kg
ELECTRICAL DATA	220-240 Volt 1PH, 50Hz, Consumption 50 Watts
SOUND LEVELS	60dB[A] at high speed – 50 dB[A] low speed (2 speed units)
STANDARDS	ISO5801 1997 BS EN 60335:2:80
SITING/FITTING/ DUCTING	Full details supplied with fan

PERFORMANCE

AIR PERFORMANCE TESTED TO ISO5801 1997. TYPE A



DIMENSIONAL DATA:



CONTROLS



Door Switch



Remote Humidistat



Passive Infra-red



Remote Switch

ACCESSORIES



Airflat Ducting



Airflex Ducting



Grilles

AIRFLOW™

SPECIALISTS IN AIR MOVEMENT TECHNOLOGY

Airflow Developments Limited, Lancaster Road, Cressex Business Park, High Wycombe, Buckinghamshire HP12 3QP England
 Telephone: (Int +44) (UK 0) 1494 525252 - Facsimile: (Int +44) (UK 0) 1494 461073 - E-Mail: info@airflow.co.uk - Web Site: http://www.airflow.co.uk

Airflow Lufttechnik GmbH,
 Postfach 1208, D-53349 Rheinbach, Germany.
 Telefon: 02226/9205-0, Telefax: 02226/9205-11

Airflow Technical Products Inc.,
 P.O. Box 372, 219 Route 206, Andover NJ 07821, USA.
 Telephone: 973-786-6386. Fax: 973-786-7586

Airflow Lufttechnik GmbH,
 o.s. Praha, Hostynská 520, 108 00 Praha 10 - Maleovice,
 Czech republic. Telefon a fax 02-77 22 30

Airflow Developments Limited reserve the right, in the interests of continuous development, to alter specifications without prior notice. All orders are accepted subject to our conditions of sale which are available on request.



CERTIFICATE 152
 BS5750 ISO9001 EN29001