

100mm Safety Extra Low Voltage Fan

"SELV Loovent" – for safe powerful and reliable ventilation.

A choice of fans and controls, to suit every application. Compliant with the latest Building Regulations and IEE wiring regulations amendment No.3:2000, they provide quiet, efficient extraction of moist air, steam and odours. All controls are in the fan enabling the transformer to be mounted remotely.

APPLICATION

For laundry rooms, utility rooms, bathrooms and showers. Fan can be mounted within permitted zone of bath or shower. Suitable for installations in IEE regulations zone 1 and 2 (see page 5)



A wall mounted installation



Fan and transformer



PERFORMANCE DATA

MODEL	DESCRIPTION	MOUNTING	EXTRACT PERFORMANCE
SELV 01	Integral adjustable timer, for light or door switch operation	Window*/Wall/Ceiling	31 l/sec, 111m ³ /hr
SELV 03	Manual control by integral pullcord	Window*/Wall/Ceiling	31 l/sec, 111m ³ /hr
SELV H50	Automatic Humidity Control with Integral Pull Cord Override and adjustable timer	Window*/Wall/Ceiling	31 l/sec, 111m ³ /hr

* Optional Window Kit available

** Window Hole Diameter 115mm Nominal

MAIN FEATURES

- Choice of 3 models
- Pre-set humidity (70% RH) adjustable between 20-80%RH
- Thermally protected motor
- Modular construction allows for easy installation
- Complies with Building Regulations
- 3 Year "no quibble" guarantee
- Can be surface mounted or recessed into wall/ceiling using bezel supplied
- 12 volt A.C. Transformer enclosure to IP155
- Fixing pack supplied

AIRFLOW™

SPECIALISTS IN AIR MOVEMENT TECHNOLOGY

Airflow Developments Limited, Lancaster Road, Cressex Business Park, High Wycombe, Buckinghamshire HP12 3QP England
Telephone: (Int +44) (UK 0) 1494 525252 - Facsimile: (Int +44) (UK 0) 1494 461073 - E-Mail: info@airflow.co.uk - Web Site: <http://www.airflow.co.uk>

Airflow Lufttechnik GmbH,
Postfach 1208, D-53349 Rheinbach, Germany.
Telephone: 02226/9205-0, Telefax: 02226/9205-11

Airflow Technical Products Inc.,
P.O. Box 372, 219 Route 206, Andover NJ 07821, USA.
Telephone: 973-786-6386. Fax: 973-786-7586

Airflow Lufttechnik GmbH,
o.s. Praha, Hostynská 520, 108 00 Praha 10 - Malešice,
Czech republic. Telefon a fax 02-77 22 30

Airflow Developments Limited reserve the right, in the interests of continuous development, to alter specifications without prior notice. All orders are accepted subject to our conditions of sale which are available on request.



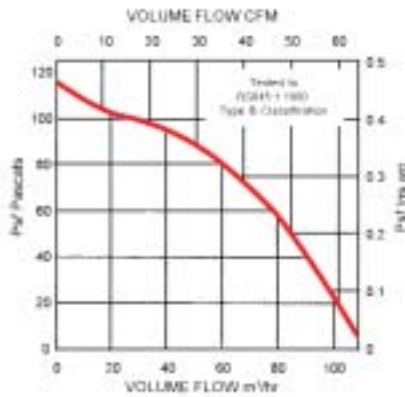
CERTIFICATE 152
BS5750 ISO9001 EN29001

TECHNICAL SPECIFICATION

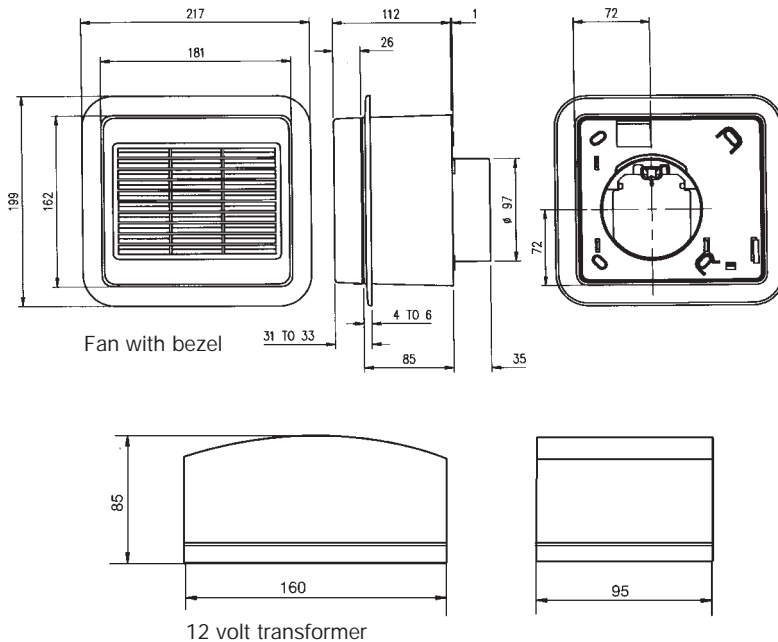
	SELV 01, 03, H50
GENERAL	Powerful centrifugal fan moulded in high impact ABS, operational in ambient temperatures up to 40°C. All motors are thermally protected case to IP44
WEIGHT	1.5kg (fan) 1.2kg (transformer)
ELECTRICAL DATA	220-240 Volt 1PH, 50Hz, (input) 12 Volt AC (output to fan)
SOUND LEVELS	55 dB[A] at high speed – 37 dB[A] at low speed
STANDARDS	ISO5801 1997 BS EN 60335:2:80 BS EN 60742:1996
SITING/FITTING/ DUCTING	Full details supplied with fan

PERFORMANCE

AIR PERFORMANCE TESTED TO ISO5801 1997. TYPE A



DIMENSIONAL DATA:



CONTROLS



Door Switch



Remote Humidistat



Passive Infra-red

ACCESSORIES



Wall & Window Fixing kits



Airflex Ducting



Airflat Ducting



Grilles

AIRFLOW™

SPECIALISTS IN AIR MOVEMENT TECHNOLOGY

Airflow Developments Limited, Lancaster Road, Cressex Business Park, High Wycombe, Buckinghamshire HP12 3QP England
Telephone: (Int +44) (UK 0) 1494 525252 - Facsimile: (Int +44) (UK 0) 1494 461073 - E-Mail: info@airflow.co.uk - Web Site: <http://www.airflow.co.uk>

Airflow Lufttechnik GmbH,
Postfach 1208, D-53349 Rheinbach, Germany.
Telefon: 02226/9205-0, Telefax: 02226/9205-11

Airflow Technical Products Inc.,
P.O. Box 372, 219 Route 206, Andover NJ 07821, USA.
Telephone: 973-786-6386. Fax: 973-786-7586

Airflow Lufttechnik GmbH,
o.s. Praha, Hostynská 520, 108 00 Praha 10 - Maleovice,
Czech republic. Telefon a fax 02-77 22 30

Airflow Developments Limited reserve the right, in the interests of continuous development, to alter specifications without prior notice. All orders are accepted subject to our conditions of sale which are available on request.



CERTIFICATE 152
BS5750 ISO9001 EN29001