

## 150mm Maxivent Fan

AIRFLOW Maxivent fans combine quiet powerful performance with proven reliability in both fixed grille and auto shutter versions.

This stylish, modern 150mm axial fan will blend comfortably with existing decor and fits quickly and easily into the wall, ceiling or window.

### APPLICATION

A high performance fan, specifically designed for kitchens, larger bathrooms and utility rooms.



A typical wall mounted fan



Fixed grill version



### PERFORMANCE DATA

MODEL	DESCRIPTION	MOUNTING	EXTRACT PERFORMANCE
MV150P	Pull cord operation	Wall/Ceiling*	72 l/sec, 260m <sup>3</sup> /hr
MV150T	Built in timer	Wall/Ceiling*	72 l/sec, 260m <sup>3</sup> /hr
MV150HP	Built in humidistat, pull cord boost(pcb)	Wall/Ceiling*	Low speed 44 l/sec, 158m <sup>3</sup> /hr Boost speed 72 l/sec, 260m <sup>3</sup> /hr
MV150AP	Pull cord with auto shutter	Wall/Ceiling*	72 l/sec, 260m <sup>3</sup> /hr
MV150AT	Timer with auto shutter	Wall/Ceiling*	72 l/sec, 260m <sup>3</sup> /hr
MV150AHP	Humidistat with auto shutter, (pcb)	Wall/Ceiling*	Low speed 44 l/sec, 158m <sup>3</sup> /hr Boost speed 72 l/sec, 260m <sup>3</sup> /hr

\* Optional Window Kit available \*\*Window Hole Diameter 185mm Nominal

### MAIN FEATURES

- Interchangeable fixing holes to easily replace most other 150mm fans on the market
- Six models offering unrivalled choice
- Complies with Building Regulations (F1-1995)
- Speed control (optional)
- Thermally protected motor
- Virtually silent automatic shutter versions
- Fixed grille economy versions
- Easy to fit and clean
- 3 Year "no quibble" guarantee

# AIRFLOW™

SPECIALISTS IN AIR MOVEMENT TECHNOLOGY

Airflow Developments Limited, Lancaster Road, Cressex Business Park, High Wycombe, Buckinghamshire HP12 3QP England  
Telephone: (Int +44) (UK 0) 1494 525252 - Facsimile: (Int +44) (UK 0) 1494 461073 - E-Mail: [info@airflow.co.uk](mailto:info@airflow.co.uk) - Web Site: <http://www.airflow.co.uk>

Airflow Lufttechnik GmbH,  
Postfach 1208, D-53349 Rheinbach, Germany.  
Telefon: 02226/9205-0, Telefax: 02226/9205-11

Airflow Technical Products Inc.,  
P.O. Box 372, 219 Route 206, Andover NJ 07821, USA.  
Telephone: 973-786-6386. Fax: 973-786-7586

Airflow Lufttechnik GmbH,  
o.s. Praha, Hostynská 520, 108 00 Praha 10 - Malešice,  
Czech republic. Telefon a fax 02-77 22 30

Airflow Developments Limited reserve the right, in the interests of continuous development, to alter specifications without prior notice. All orders are accepted subject to our conditions of sale which are available on request.



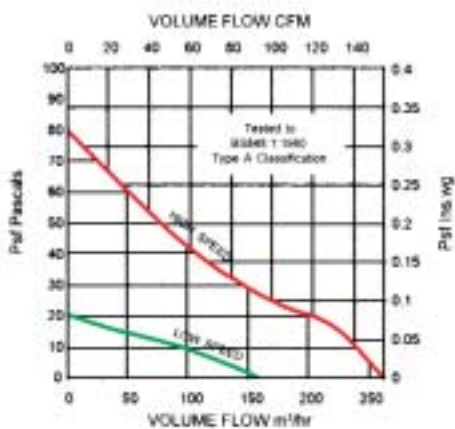
CERTIFICATE 152  
BS5750 ISO9001 EN29001

## TECHNICAL SPECIFICATION

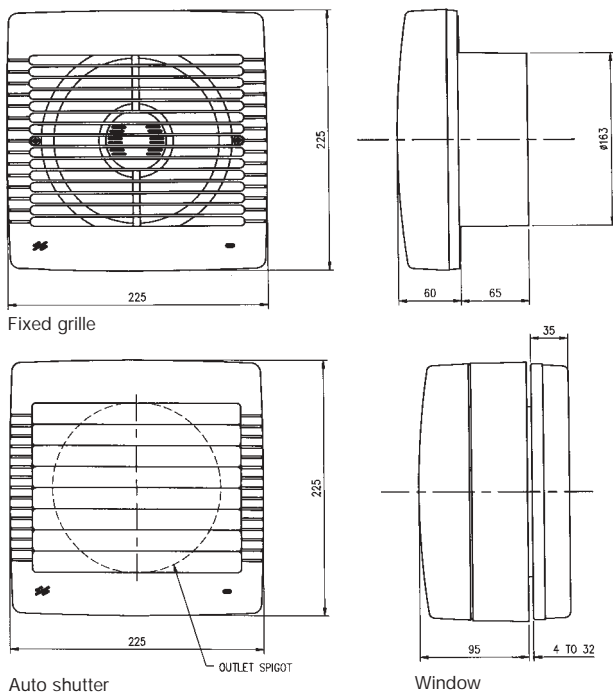
	MV150P, MV150T, MV150HP, MV150AP, MV150AT, MV150AHP,
<b>GENERAL</b>	A powerful axial fan moulded in high impact ABS, case to IP44
<b>WEIGHT</b>	2.4 kg
<b>ELECTRICAL DATA</b>	220-240 Volt, 1 PH, 50Hz Consumption, 35 Watts <input type="checkbox"/>
<b>SOUND LEVELS</b>	46 dB[A] at low speed – 57 dB[A] at Boost speed
<b>STANDARDS</b>	ISO5801 1997 BS EN 60335:2:80
<b>SITING/FITTING/ DUCTING</b>	Full details supplied with fan

## PERFORMANCE

AIR PERFORMANCE TESTED TO ISO5801 1997. TYPE A



## DIMENSIONAL DATA:



## CONTROLS



Door Switch



Remote Humidistat



Passive Infra-red



Speed Controller

## ACCESSORIES



Airflex Ducting



Condensation Trap



Grilles

# AIRFLOW™

SPECIALISTS IN AIR MOVEMENT TECHNOLOGY

Airflow Developments Limited, Lancaster Road, Cressex Business Park, High Wycombe, Buckinghamshire HP12 3QP England  
 Telephone: (Int +44) (UK 0) 1494 525252 - Facsimile: (Int +44) (UK 0) 1494 461073 - E-Mail: info@airflow.co.uk - Web Site: http://www.airflow.co.uk

Airflow Lufttechnik GmbH,  
 Postfach 1208, D-53349 Rheinbach, Germany.  
 Telefon: 02226/9205-0, Telefax: 02226/9205-11

Airflow Technical Products Inc.,  
 P.O. Box 372, 219 Route 206, Andover NJ 07821, USA.  
 Telephone: 973-786-6386. Fax: 973-786-7586

Airflow Lufttechnik GmbH,  
 o.s. Praha, Hostynská 520, 108 00 Praha 10 - Maleovice,  
 Czech republic. Telefon a fax 02-77 22 30

Airflow Developments Limited reserve the right, in the interests of continuous development, to alter specifications without prior notice. All orders are accepted subject to our conditions of sale which are available on request.



CERTIFICATE 152  
 BS5750 ISO9001 EN29001