

Loovent 01C Fan

So well made is the original Airflow AIDELLE 01 Loovent that it is not unusual to see 15 year old fans still working away, clearing the air in Bathrooms, Toilets and en-suites.

When something is this good why change it?, which is why today Airflow still produce the model 01 Classic in significant numbers.

Contractors like it because it exceeds the requirements of the latest building regulations, requires virtually no maintenance and is quick and simple to install. Particularly when refurbishing older 01 Loovent installations by using the same fixing holes and wiring connections.

Wall or ceiling mounted it retains all the original features and has outstanding extract performance up to 21 litres per second. Control is by a choice of timer, optional PIR, door or light switch operation. Being a centrifugal fan, which more effectively overcomes system resistance you can simply duct the air away with standard 100mm (4") PVC pipe, or flexible ducting.

A selection of (optional) colour co-ordinated external wall grilles and controls are available to complete the installation.

End users like the 01C because of it's quietness in operation, a smooth aesthetically pleasing glacier white cover to blend with existing Decor, which is secured by a single screw to allow easy cleaning.

With a 3 year 'NO QUIBBLE' guarantee and a proven track record of quality and reliability gained with well over one million Loovents sold it already has its own place in Domestic ventilation history.



PERFORMANCE DATA

MODEL	DESCRIPTION	MOUNTING	EXTRACT PERFORMANCE
01c	Integral adjustable timer for light Remote switch or via optional controls	Wall/Ceiling	21 l/sec, 76 m ³ /hr

MAIN FEATURES

- Powerful centrifugal fan for use with up to 16m of ducting
- Can be surface mounted to a wall or ceiling
- Integral magnetic anti-backdraft flap
- Thermally protected motor
- Complies with the latest Building Regulations
- 3 Year "no quibble" guarantee
- Fixing pack supplied.
- Quality assured to ISO9001

AIRFLOW™

SPECIALISTS IN AIR MOVEMENT TECHNOLOGY

Airflow Developments Limited, Lancaster Road, Cressex Business Park, High Wycombe, Buckinghamshire HP12 3QP, England
Telephone: (Int +44) (UK 0) 1494 525252 - Facsimile: (Int +44) (UK 0) 1494 461073 - E-Mail: info@airflow.co.uk - Web Site: <http://www.airflow.co.uk>

Airflow Lufttechnik GmbH,
Postfach 1208, D-53349 Rheinbach, Germany.
Telefon: 02226/9205-0, Telefax: 02226/9205-11

Airflow Technical Products Inc.,
P.O. Box 372, 219 Route 206, Andover NJ 07821, USA.
Telephone: 973-786-6386. Fax: 973-786-7586

Airflow Lufttechnik GmbH,
o.s. Praha, Hostýnská 520, 108 00 Praha 10 - Maleovice,
Czech republic. Telefon a fax 02-77 22 30

Airflow Developments Limited reserve the right, in the interests of continuous development, to alter specifications without prior notice. All orders are accepted subject to our conditions of sale which are available on request.



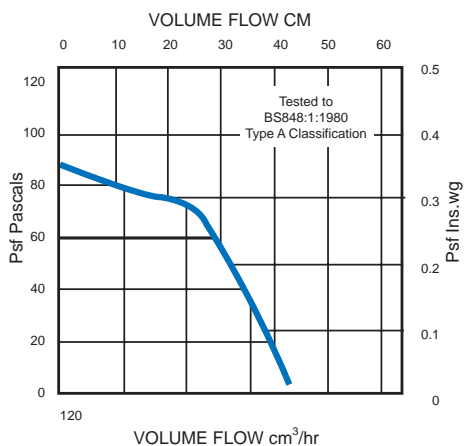
CERTIFICATE 152
BS5750 ISO9001 EN29001

TECHNICAL SPECIFICATION

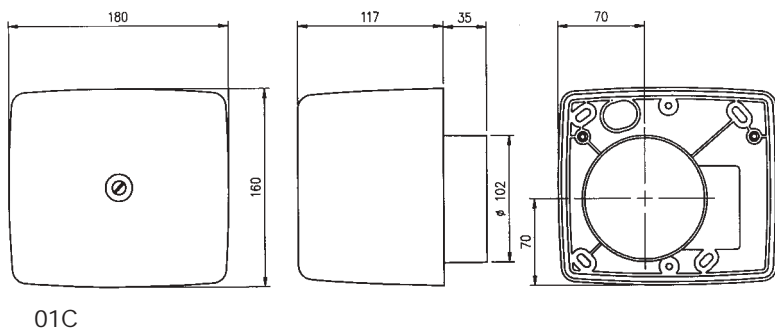
MODEL 01C	
GENERAL	Powerful centrifugal fan moulded in high impact ABS
WEIGHT	1.5 kg
ELECTRICAL DATA	220-240 Volt 1PH, 50Hz, Consumption 30 Watts
SOUND LEVELS	55 dB[A]
STANDARDS	BS 848 PART 1: 1980; BS 3456 PART 102.342: 1988
SITING/FITTING/ DUCTING	Full details supplied with fan

PERFORMANCE

AIR PERFORMANCE TESTED TO ISO5801 1997. TYPE A



DIMENSIONAL DATA:



01C

CONTROLS



door Switch



Remote Humidistat



Passive Infra-red

ACCESSORIES



Wall & Window Fixing kits



Airflex Ducting



Roof Cowl



Grilles

AIRFLOW™

SPECIALISTS IN AIR MOVEMENT TECHNOLOGY

Airflow Developments Limited, Lancaster Road, Cressex Business Park, High Wycombe, Buckinghamshire HP12 3QP, England
 Telephone: (Int +44) (UK 0) 1494 525252 - Facsimile: (Int +44) (UK 0) 1494 461073 - E-Mail: info@airflow.co.uk - Web Site: <http://www.airflow.co.uk>

Airflow Lufttechnik GmbH,
 Postfach 1208, D-53349 Rheinbach, Germany.
 Telefon: 02226/9205-0, Telefax: 02226/9205-11

Airflow Technical Products Inc.,
 P.O. Box 372, 219 Route 206, Andover NJ 07821, USA.
 Telephone: 973-786-6386. Fax: 973-786-7586

Airflow Lufttechnik GmbH,
 o.s. Praha, Hostynská 520, 108 00 Praha 10 - Malešice,
 Czech republic. Telefon a fax 02-77 22 30

Airflow Developments Limited reserve the right, in the interests of continuous development, to alter specifications without prior notice. All orders are accepted subject to our conditions of sale which are available on request.



CERTIFICATE 152
 BS5750 ISO9001 EN29001