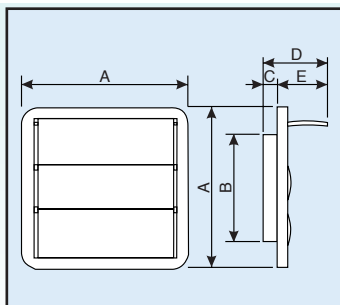




ACCESSORIES - DOMESTIC SERIES -



Gravity shutter

Rain proof gravity shutter to prevent the incoming of air when the fan is switched off.

Shutters open automatically with air flow when the fan is working, available in different sizes.

To be fitted on the external wall.

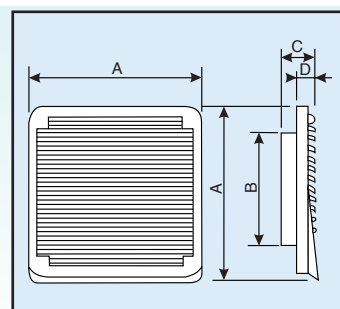
Model	Ref.	A	B	C	D	E
GRAVITY SHUTTER ø 10	OW 801 3	149	ø 99	25	70	45
GRAVITY SHUTTER ø 12	OW 803 9	149	ø 119	25	70	45

Grille

Rain proof grille to be fitted on the external wall, available in different sizes.

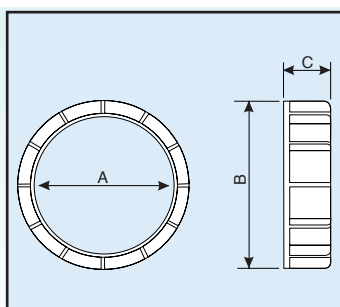
Completely made in technopolymer.

Model	Ref.	A	B	C	D
GRILLE ø 10	OW 800 5	154	ø 99	43	18
GRILLE ø 12	OW 802 1	154	ø 119	43	18
GRILLE ø 15	OW 907 8	208	ø 151	52	28



Locking ring

Window or panel kit.

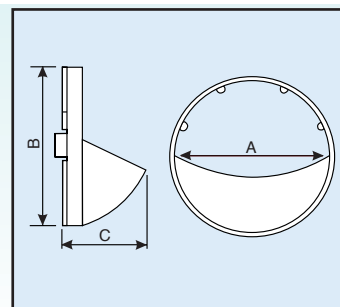


Model	Ref.	A	B	C
LOCKING RING ø 10	OW 814 6	100	130	40
LOCKING RING ø 12	OW 815 3	120	150	40

Air flow deflector

Air flow deflector for exhaust ducting.

Model	Ref.	A	B	C
AIR FLOW DEFLECTOR ø 10	OW 699 1	90	100	56
AIR FLOW DEFLECTOR ø 12	OW 662 9	110	120	65



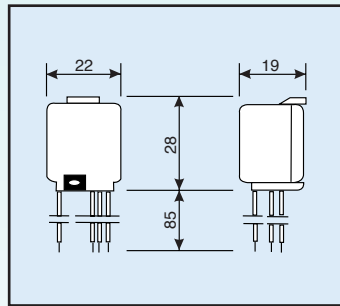
Filters

Washable filters in polyurethane.

Model	Ref.	
FILTERS COMPACT 100	OW 856 7	Blister 3 pcs. (200x200 mm)
FILTERS COMPACT 200 / 300	OW 857 5	Blister 3 pcs. (240x240 mm)
FILTERS ASIPIRODOR 300 / 400	OW 816 1	n° 2 (ø 150 mm)
FILTERS SILENTE	OW 869 0	Blister 4 pcs.
FILTERS INTRA 100	OW 930 0	n° 3 pcs.
FILTERS INTRA 200/300	OW 931 8	n° 3 pcs.



ACCESSORIES - DOMESTIC SERIES -



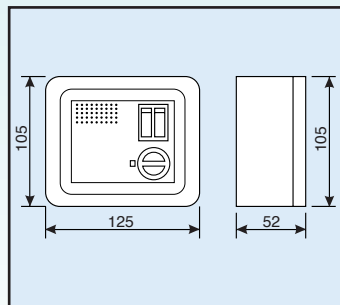
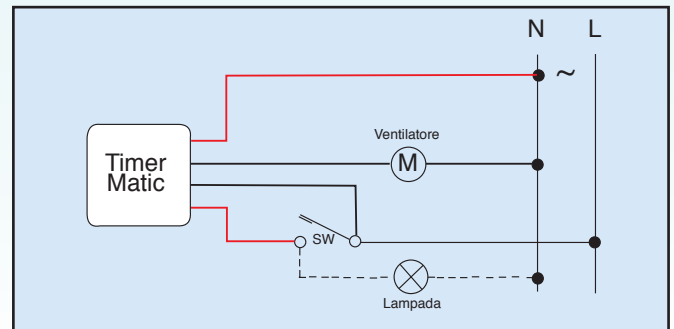
Timermatic

Self adjusting proportional timer from 4 to 13 minutes approx.
It can be used with any fan up to a max power of 200 W.

Can be installed:

- in a switch box
- in a junction box
- inside the appliance

Model	Ref.
TIMERMATIC	OW 339 4



5 Speed/ reversibility controller RG 5 AR Smart / Ventilor series

Accessory to control: motor ON/OFF, 5 speed, air flow reversibility.
It can be recessed through a dedicated accessory - COD OW 905 2.

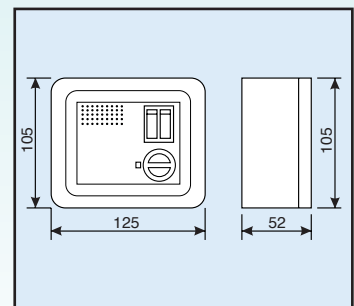
Model	Ref.
RG 5 AR	OW 315 4

Electronic controller with the possibility of reversibility

Accessory to control motor ON/OFF and variable speed of all domestic single phase appliances up to 300 W.

Product as it is, is not reversible. Reversibility function can be added simply cutting a jumper in the electrical terminal.

It can be recessed through a dedicated accessory - COD OW 905 2.



Model	Ref.
RG E	OW 317 0