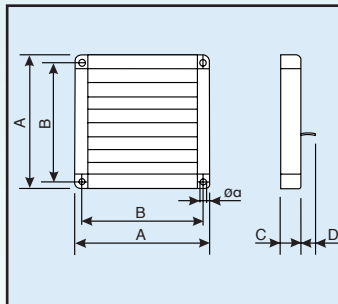




# ACCESSORIES - INDUSTRIAL SERIES -



## Gravity shutter for EB - EC

Shutters open automatically with air flow. Incorporates safety protection steel grille.

Frame and shutters made of technopolymer.

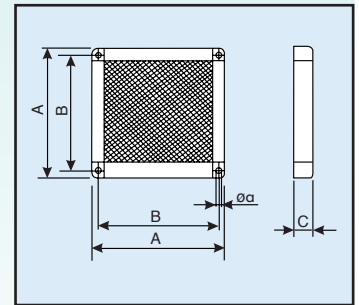
Model	Ref.	A	B	C	D	ø α
<b>EC 20</b>	OW 601 7	310	268	52	54	9
<b>EB 25 - EC 25</b>	OW 602 5	367	325	52	54	9
<b>EB 30 - EC 30</b>	OW 603 3	424	382	52	54	9
<b>EB 35 - EC 35</b>	OW 604 1	481	439	52	54	9
<b>EB 40 - EC 40</b>	OW 605 8	538	496	52	54	9
<b>EB 50 - EC 50</b>	OW 606 6	652	610	52	54	9
<b>EB 60-70 - EC 60</b>	OW 607 4	823	781	52	54	9

## Protection grille for EB - EC

Safety protection steel grille to protect appliances from any accidental contact.

Frame made of technopolymer.

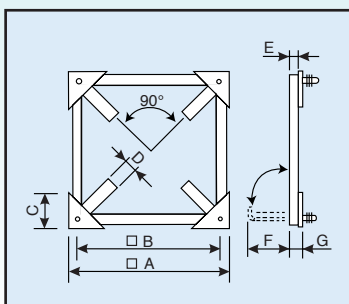
Model	Ref.	A	B	C	ø α
<b>EC 20</b>	OW 594 4	310	268	52	9
<b>EB 25 - EC 25</b>	OW 595 1	367	325	52	9
<b>EB 30 - EC 30</b>	OW 596 9	424	382	52	9
<b>EB 35 - EC 35</b>	OW 597 7	481	439	52	9
<b>EB 40 - EC 40</b>	OW 598 5	538	496	52	9
<b>EB 50 - EC 50</b>	OW 599 3	652	610	52	9
<b>EB 60-70 - EC 60</b>	OW 600 9	823	781	52	9



## Frame base for TX - THT

Accessory for an easy and safe installation of the roof fans.

Supplied with 4 metal supports for wall installation.

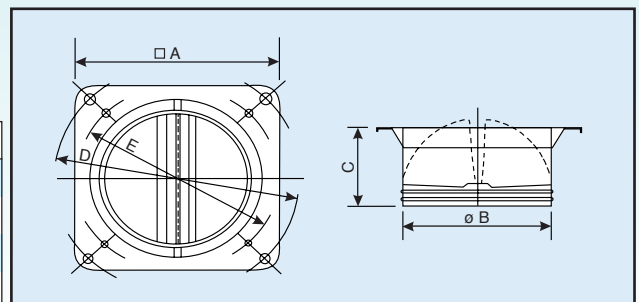


Model	Ref.	o A	o B	C	D	E	F	G
<b>TX 2 - 4 - 6 / THT 6</b>	OW 772 6	395	358	100	20	28	130	31
<b>TX 8 / T 20 - 30 / THT 8</b>	OW 773 4	505	464	100	20	28	130	31
<b>TX 10 - 12 / THT 10 - 12</b>	OW 774 2	740	699	100	20	28	130	31
<b>TX 14 - 16 / THT 14 - 16</b>	OW 775 9	845	798	100	20	28	130	31

## Gravity shutter for TX - THT

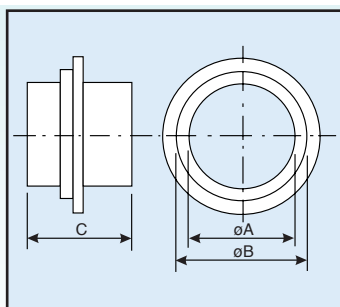
Shutters open automatically with air flow and automatically close when the fan is switched off.

Model	Ref.	o A	ø B	C	ø D	ø E
<b>TX 2 - 4 - 6 / THT 6</b>	OW 768 4	280	240	210	358	290
<b>TX 8 / T 20 - 30 / THT 8</b>	OW 769 2	375	320	210	464	420
<b>TX 10 - 12 / THT 10 - 12</b>	OW 770 0	560	400	220	699	560
<b>TX 14 - 16 / THT 14 - 16</b>	OW 771 8	700	550	300	798	700





# ACCESSORIES - INDUSTRIAL SERIES -



## Reducer for CAA

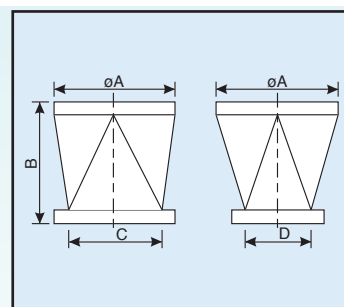
Accessory to adapt inlet duct to various duct diameters.  
Made of polypropylene resistant to chemical and corrosive fumes.

Model	Ref.	ø A	ø B	C
<b>CAA 640</b>	OW 668 6	250	315	147

## Connector square to round for CAA

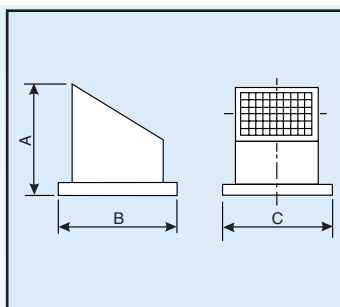
Accessory to adapt outlet flange to round duct.  
Made of polypropylene resistant to chemical and corrosive fumes.

Model	Ref.	ø A	B	C	D
<b>CAA 610</b>	OW 630 6	125	105	90	90
<b>CAA 620</b>	OW 631 4	200	160	165	135
<b>CAA 630</b>	OW 632 2	250	160	205	165
<b>CAA 640</b>	OW 633 0	250	200	245	205
<b>CAA 640</b>	OW 634 8	315	200	245	205
<b>CAA 650</b>	OW 635 5	315	205	290	235
<b>CAA 650</b>	OW 636 3	355	205	290	235



## Angled outlet for CAA

Outflow angled outlet with safety mesh.  
Made of polypropylene resistant to chemical and corrosive fumes.



Model	Ref.	A	B	C
<b>CAA 610</b>	OW 677 7	90	90	90
<b>CAA 620</b>	OW 678 5	160	165	135
<b>CAA 630</b>	OW 679 3	208	205	165
<b>CAA 640</b>	OW 680 1	260	245	205
<b>CAA 650</b>	OW 681 9	260	290	235

## Shutter for CAA

Manual shutter to reduce section of matching flange.  
Fitted with locking screws.  
Made of polypropylene resistant to chemical and corrosive fumes.

Model	Ref.	A	B	C	D	E
<b>CAA 630</b>	OW 669 4	230	165	265	205	274
<b>CAA 640</b>	OW 670 2	263	205	303	245	332
<b>CAA 650</b>	OW 671 1	305	235	355	290	372

