



# SILENT CENTRIFUGAL FANS CS





# SILENT CENTRIFUGAL FANS CS

- Centrifugal silenced duct fans to extract large air volumes and non dusty fumes.
- Also suitable for application on machines where a forced ventilation or air suction is required.

• Steel plated body protected by an epoxy-based anticorrosive paint.

• Zinc plated steel blade statically and dynamically balanced for improved performance.

• Particularly quiet in relation to the remarkable performances.

• 4 poles induction motor with ball bearings and IP55 motor protection.

• Impeller housing can be installed in any different position with possibility of opposite rotation (on request, see table page 63).

The standard product is supplied with impeller housing position CCW 270.

• Fans with specialised motors are available on request i.e. Flameproof, Tropicalised, High temperature, etc.

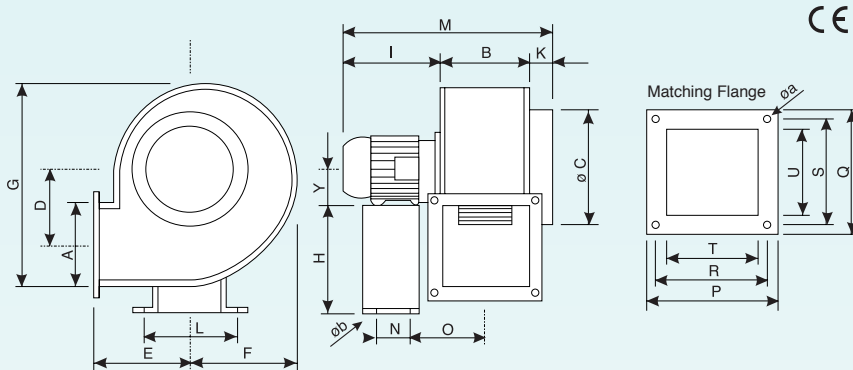
• In accordance with the essential requirements of 89/392/CE directive concerning machines, and with European Standards EN 292 part I and II, UNI EN 294 and IEC 204-1 and 2.

• Industrial regulators available (see page 99).

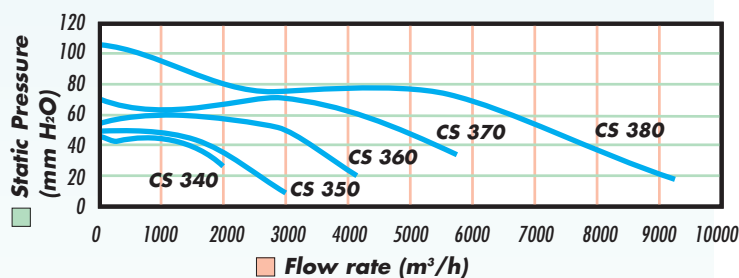
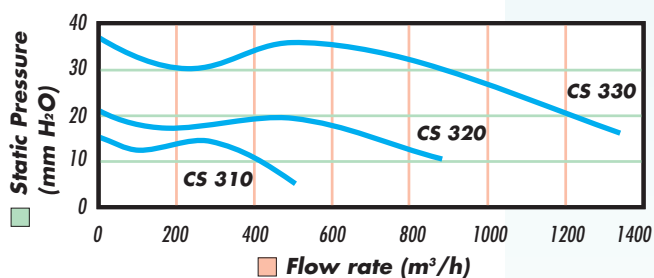
**For models CS 350, 360, 370 and 380:**

• Mounted on rigid base support to make installation easier.

## Dimensions



Model	A	B	øC	D	E	F	G	H	Y	K	I	L	M	N	O	P	Q	R	S	T	U	øa	øb	Kg
CS310 4M	97	98	180	92	128	124	248	-	63	38	191	-	327	-	-	135	135	114	114	88	88	8	-	8
CS310 4T	97	98	180	92	128	124	248	-	63	38	191	-	327	-	-	135	135	114	114	88	88	8	-	7
CS320 4M	112	110	200	116	145	150	300	-	63	40	191	-	341	-	-	150	150	125	125	105	105	8	-	7,5
CS320 4T	112	110	200	116	145	150	300	-	63	40	191	-	341	-	-	150	150	125	125	105	105	8	-	7
CS330 4T	142	143	250	138	148	188	373	-	71	42	213	-	398	-	-	190	190	165	165	134	134	8	-	13
CS340 4T	170	164	250	168	172	222	444	-	80	38	237	-	439	-	-	225	235	195	205	175	175	8	-	18
CS350 4T	196	194	315	193	206	258	515	245	80	52	237	230	483	120	132	254	255	225	225	182	192	8	11	22
CS360 4T	196	194	355	193	206	258	515	245	90	52	257	230	503	120	138	254	255	225	225	182	192	8	11	25
CS370 4T	244	221	350	214	235	244	565	280	100	50	313	260	584	150	185	282	305	254	275	217	240	8	11	38
CS380 4T	298	249	400	274	305	365	735	350	112	62	332	325	644	170	205	309	360	279	330	244	295	10	11	75



## Technical Data

Model	Ref.	Motor protection	Motor	Flow rate mov. m³/h	Max. Press. mm H <sub>2</sub> O	N° Poles	W	Hz	Nom. current in Amp. at 230V	at 400V	dB(A) at 2 m	RPM	Motor Support
CS 310 4M	OW 420 2	IP55	single-phase	500	16	4	200	50	1,0	-	64	1400	NO
CS 310 4T	OW 421 0	IP55	three-phase	500	16	4	200	50	1,0	0,59	64	1400	NO
CS 320 4M	OW 422 8	IP55	single-phase	720	21	4	250	50	1,7	-	67	1400	NO
CS 320 4T	OW 423 6	IP55	three-phase	720	21	4	250	50	1,7	1,0	67	1400	NO
CS 330 4T	OW 424 4	IP55	three-phase	1500	38	4	500	50	1,9	1,1	70	1400	NO
CS 340 4T	OW 425 1	IP55	three-phase	1900	47	4	1250	50	3,8	2,2	73	1400	NO
CS 350 4T	OW 426 9	IP55	three-phase	2900	50	4	1900	50	5,3	3,1	76	1400	YES
CS 360 4T	OW 427 7	IP55	three-phase	4100	60	4	2600	50	7,6	4,4	80	1400	YES
CS 370 4T	OW 428 5	IP55	three-phase	5600	73	4	3200	50	10,0	5,8	84	1400	YES
CS 380 4T	OW 429 3	IP55	three-phase	9100	105	4	4800	50	18,37	10,60	88	1430	YES