



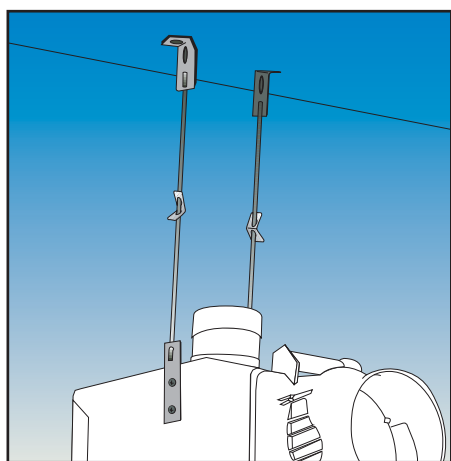
FALSE CEILING MOUNTED CENTRIFUGAL DUCT FANS INTRA





FALSE CEILING MOUNTED CENTRIFUGAL DUCT FANS INTRA

- Centrifugal fan designed for installation in suspended ceilings and ceilings tiles, allowing ducted extraction to the outside wall.
- Equipped with integral back draught shutters.
- Can be installed directly on the ceiling frame. In case the load bearing of the structure do not allow a direct installation, must be fixed on the ceiling wall.
- In accordance with IEC 342-1 norms.
- White ceiling grilles in shining ABS material.
- Totally recessed, maintenance free, motor mounted on ball bearings.



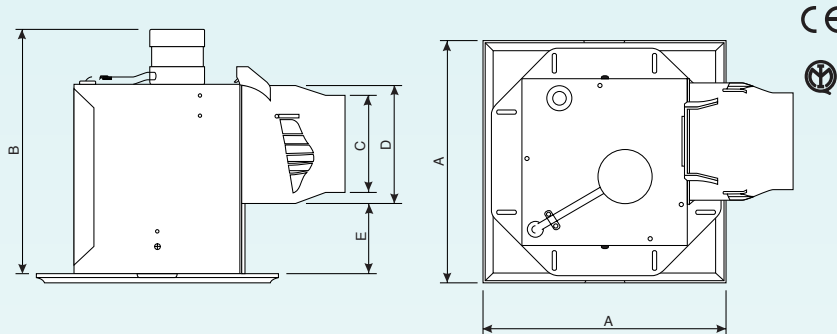
Kit with brackets for ceiling mounting Intra.

Model	Ref.
Fixing bracket	OW 932 6

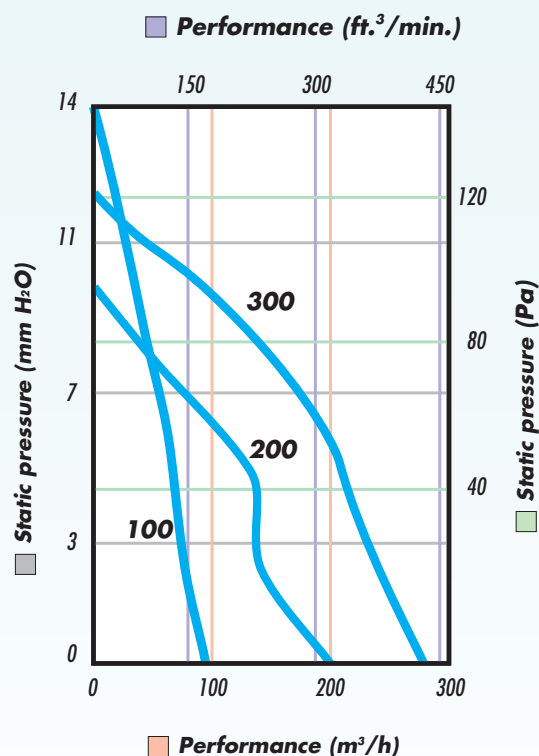
Accessory to fix the Intra fan directly to the ceiling in case the counter ceiling frame do not allow extra load.

- Further accessories see page 108.

Dimensions



Model	A	B	C	D	E	Aperture size
Intra 100	242	260	∅ 97	∅ 117	70	171 x 171
Intra 200	320	265	∅ 97	∅ 117	70	248 x 248
Intra 300	320	270	∅ 97	∅ 117	70	273 x 273



Technical Data

Model	Ref.	Flow rate m ³ /h	W	Nominal voltage and frequency	Max pressure mm H ₂ O	dB (A) at 3 m	Weight kg
INTRA 100	OW 918 5	95	30	220-240V 50Hz	14	31	2,2
INTRA 200	OW 919 3	190	35	220-240V 50Hz	9	39	3,4
INTRA 300	OW 920 1	270	45	220-240V 50Hz	12	40	3,5

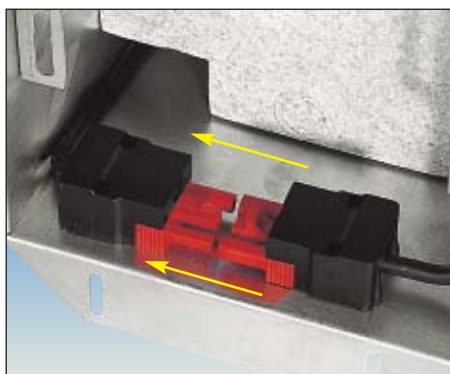


FALSE CEILING MOUNTED CENTRIFUGAL DUCT FANS INTRA

Air replacement in closed rooms is quite important for a good comfort of the present people. Sometimes, in commercial or public buildings, offices or other working places, a correct air change is not easy to achieve.

But in case these premises are equipped with a false ceiling, we can then solve this problem in a very simple and rather cheap way: installing an INTRA into the false ceiling.

INTRA is the best and cheapest solution for a ceiling mounted fan.



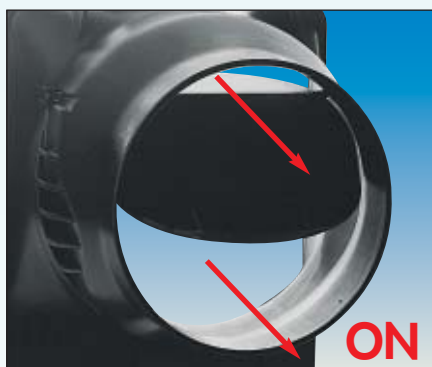
Fast plug-in electrical connection to guarantee a fast and safe installation.



Fan easily unchained for cleaning or maintenance purposes, leaving the housing fixed to the ceiling and connected to the duct.



External grille made of shining ABS plastic material with a stylish and innovative design, suitable for installation in various ceiling depth sizes.



ON



OFF



Highly silenced, with a very low sound level due to the expanded polystyrene impeller housing, zinc plated steel structure and motor placed outside the fan housing.



FALSE CEILING MOUNTED CENTRIFUGAL DUCT FANS INTRA

The fan should remain installed exactly at same level than the ceiling boards above one or various work stations and be connected with the outside wall through flexible and cheap ducting which can be fixed directly to the ceiling wall or layed on the ceiling boards if the structure is strong enough.

The **INTRA** fan, totally hidden inside the false ceiling, can be installed in 2 ways: if the false ceiling has a strong bearing structure, the fan will be screwed directly to the frame (see pict. 1 & 2), otherwise the fan should be fixed directly to the ceiling wall with special brackets so that it may come exactly to the same ceiling board allignment (see pict. 3).

In both the cases, the grille (sole visible part of the fan) will be fixed from bottom placing it on top of the board tiles. The external grill is removable to allow an easy cleaning and access to the filter.

The Intra fans do not create draught because the size and shape of the grille are designed for a maximum air flow speed of 0.015 mt/sec. at 1 meter distance.

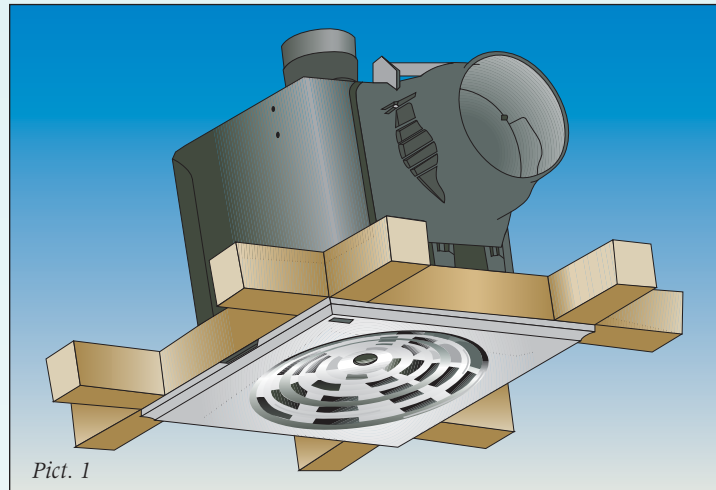
Incoming air opening holes should be positioned far away from fan installation point, even in adjacent rooms, leaving enough space level under the communication doors.

Another important point to keep in mind in working places is the sound and noise level of a fan.

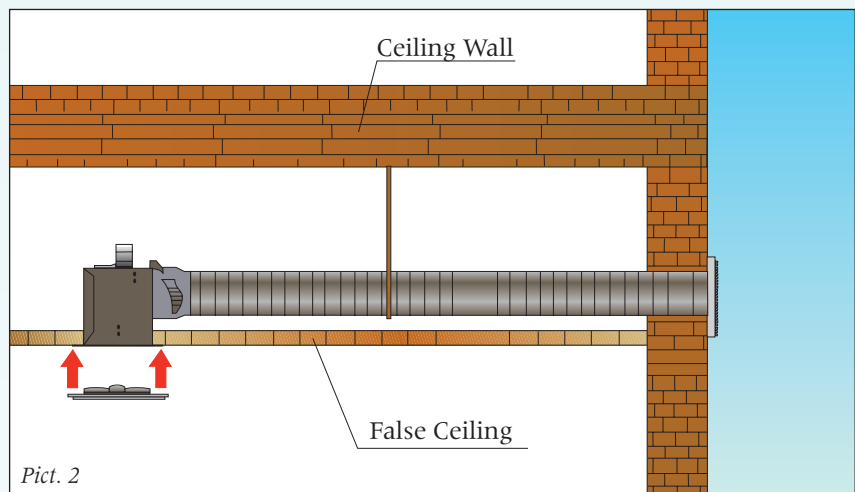
To respect the worker's sound comfort level, the fan's noise should not exceed the 40 dB at 3 meters distance.

Because mounted inside the false ceiling and due to a particular construction design, INTRA allows to reach easily this ambitious target.

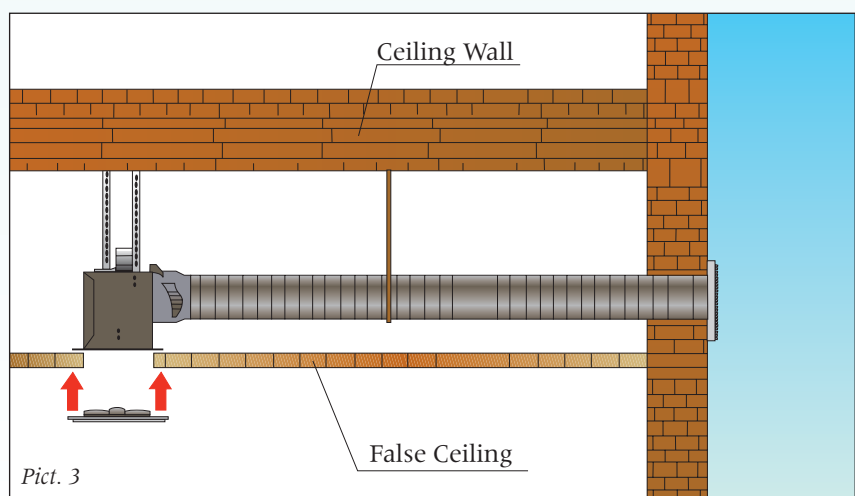
Positioning



Pict. 1



Pict. 2



Pict. 3