



AUTOMATIC VENTILATION SYSTEMS

RCV 3 RECEIVER

- Radio receiver for ceiling fans.
- Controls the following functions: ON/OFF, 5 speed regulation, reversibility (when available), ON/OFF light (when available).
- Functions controlled by TRM 3 transmitter.
- Allows a safety personalized code to be set up in order to avoid interferences with other users having installed similar products working on 433,92 Mhz frequency.
- In accordance with IEC 342-1 and Electromagnetic Compatibility (EMC) Standards.
- In shining ABS material.

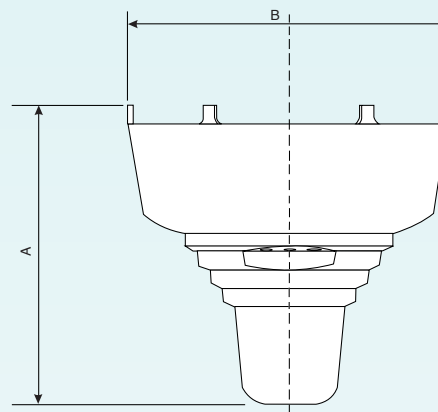
• Can be fitted to any ceiling fan with a downrod of diameter 19,2 mm - 3/4".



Three LEDs indicate the following functions: a red LED that the fan is switched on and working, a green LED the reversibility and another red LED the reception of a transmitter command.

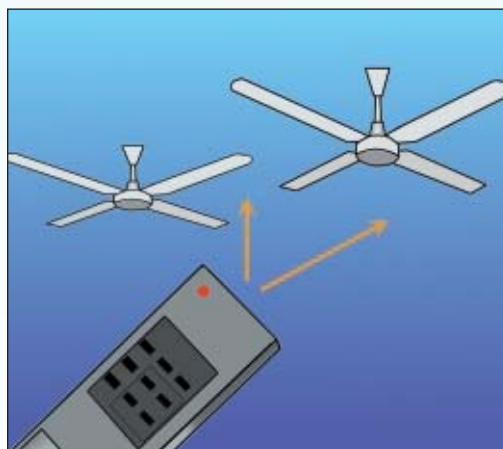
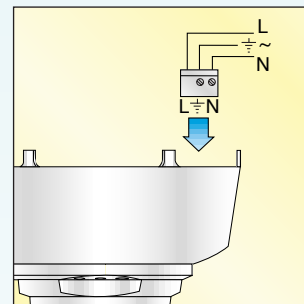
Model	Ref.
RCV 3	OW 917 7

Dimensions



Model	A	B
RCV 3	123	ø 140

It is only necessary to provide a local supply (Live, Neutral and Earth). Fitted with removable connectors to allow for a quick and simple installation.



Individual fans or different groups of fans can be controlled by a single radio transmitter (for details see separate TRM 3 entry).