

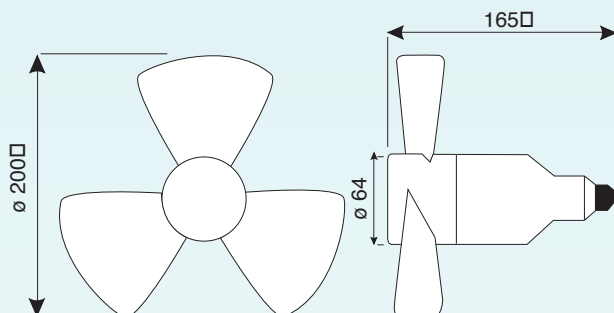


FANS FOR TECHNICAL APPLICATIONS

SPOT 20

- Fan suitable to be used in windows or exhibitions stands.
- Can solve heat problems caused by lights.
- Suitable to decrease heat in the stands.
- Suitable for applications provided with connector E 27 lamp.
- Impeller made of soft material \varnothing 20 cm.

Dimensions



Technical Data

Model	Ref.	N° of speed	W	\varnothing impeller mm	rpm	Weight kg
SPOT 20	OW 230 5	1	20	200	2.000	0,4