



SMALL AXIAL FANS - IPX4 STANDARD 8





SMALL AXIAL FANS - IPX4 STANDARD 8

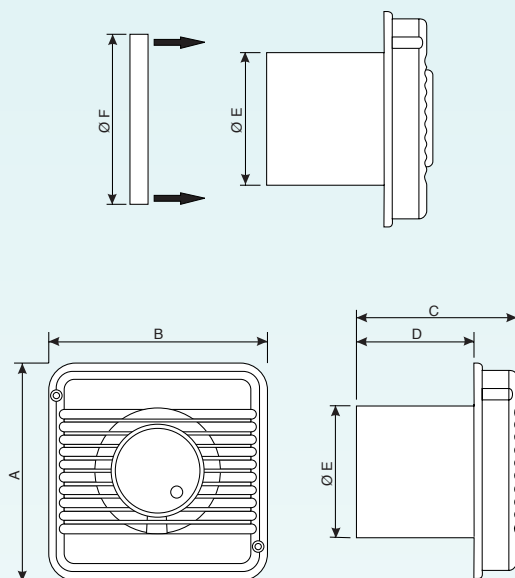
- Axial fans to extract air and fumes directly outside.
- Can be wall, ceiling and panel mounted.
- In accordance with EN 60335-2-80.
- Grille and body made in shining ABS material.

Standard 8T

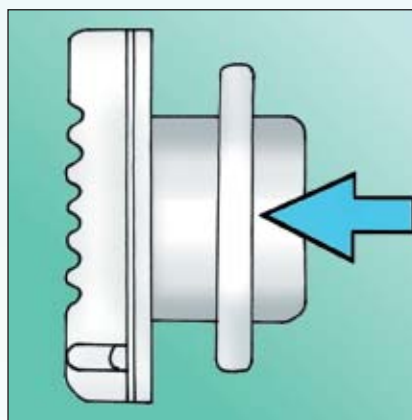
- Self regulating timer with a delayed switching off proportional to the fan working time from 4 to 13 minutes approx (starting of the fan after 30 seconds approx from the switching on).



Dimensions



Model	A	B	C	D	E	F
Standard 8 / 8T	123	123	82	58	ø 75	-
Adaptor	-	-	-	-	ø 75	ø 98



Incorporates adaptor kit from 80 to 100 mm hole diameter.

Technical Data

Model	Ref.	Hole diameter mm	Nominal Voltage and Frequency	Flow rate m ³ /h	W	dB (A) at 3 m	Weight kg
STANDARD 8	OW 847 6	80÷100	220-240V 50Hz	35	15	36	0,4
STANDARD 8 T	OW 848 4	80÷100	220-240V 50Hz	35	15	36	0,4