



IN-LINE AXIAL DUCT FANS - IPX4 TB





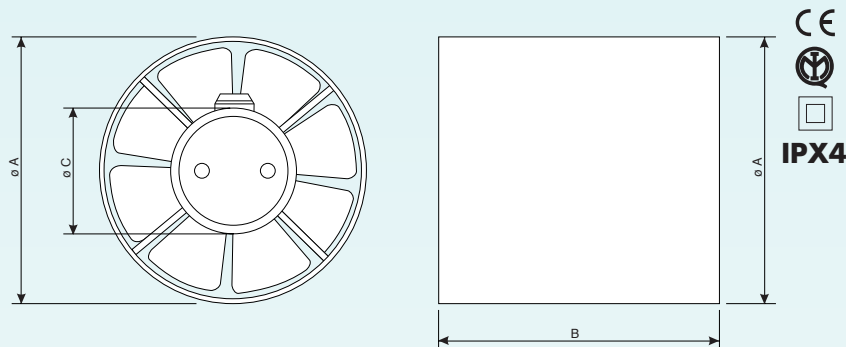
IN-LINE AXIAL DUCT FANS - IPX4 TB

- In-line axial fans for installation into ducting with diameter 10, 12 and 15 cm.
- Can be used to extract air, to intake air or as a booster to increase airflow in an existing installation.
- Body in thermoplastic material.
- Impeller in polypropylene, VO.
- Induction motor. Impedance protection on models TB 10 and TB 12, thermal protection on model TB 15.
- Protected against water splashes, IPX4.
- Low consumption and noise makes the fan suitable for any use.
- In accordance with EN 60335-2-80.

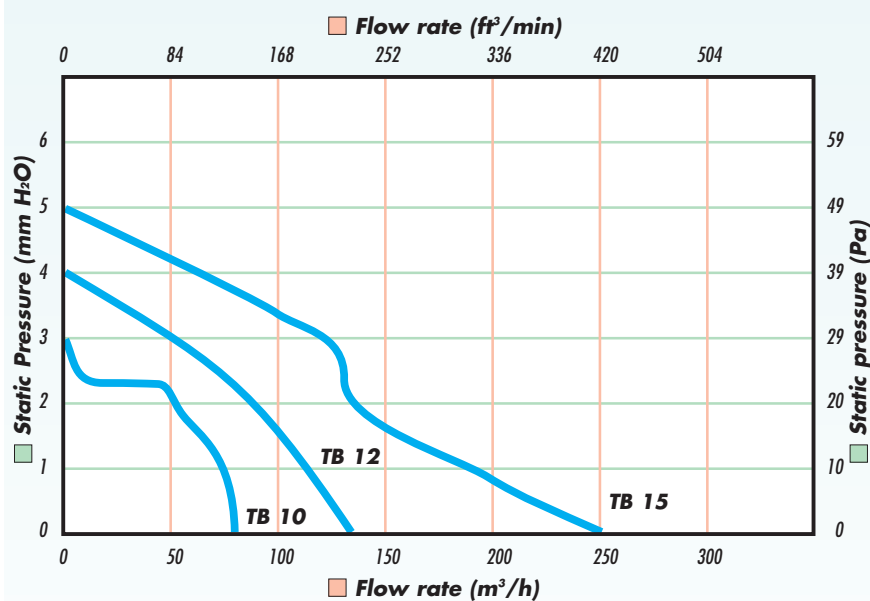
Accessories:

- See page 110 and 111

Dimensions



Model	$\varnothing A$	B	$\varnothing C$
TB 10	96	97	55
TB 12	116	97	55
TB 15	147	113	55



Technical Data

Model	Ref.	Tube diameter \varnothing mm	Flow rate m ³ /h	Max Press. mm. H ₂ O	W	Nominal voltage and frequency	Nom. curr. Amp. at 230V	dB (A) at 2 m	RPM	Weight kg
TB 10	OW 184 4	100	80	3	15	220-240V 50Hz	0,09	42	2500	0,5
TB 12	OW 194 3	120	130	3,5	15	220-240V 50Hz	0,1	43	2200	0,6
TB 15	OW 195 0	150	250	5,5	25	220-240V 50Hz	0,2	50	2400	0,7