



CENTRIFUGAL AXIAL FANS  
**TST**





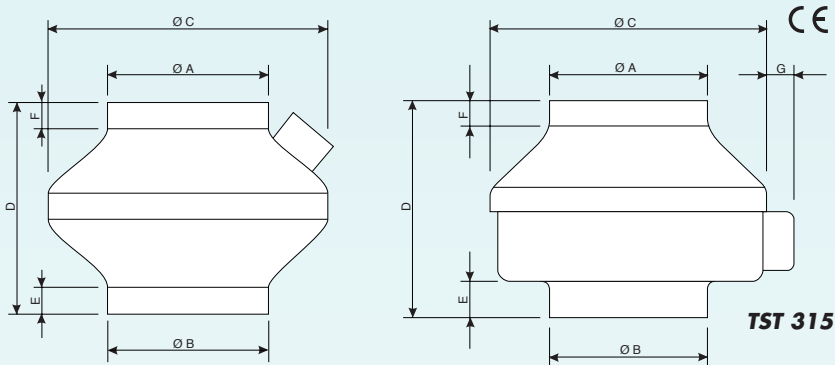
# CENTRIFUGAL AXIAL FANS TST

- Centrifugal in-line duct fans to convey air or fumes.
- Also suitable for application on machines where a forced ventilation or air suction is required.
- A range of different sizes for installation in most standard sizes of ductwork.
- Steel plated body protected by an epoxy-based anticorrosive paint.
- Induction motor with external rotor on ball bearings.
- Designed to combine high performance with low sound level.
- Can be mounted in any position.
- IP 44 motor protection.
- In accordance with the essential requirements of 89/392/CE directive concerning machines, and with European rules EN 292 part I and II, UNI EN 294 and IEC 204-1 and 2.
- Industrial RGM2 regulator available (see page 99).

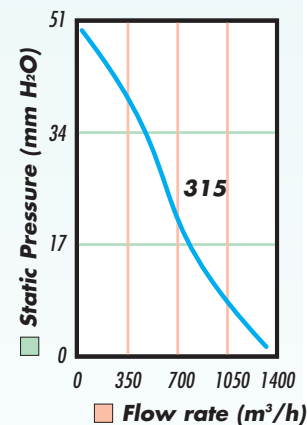
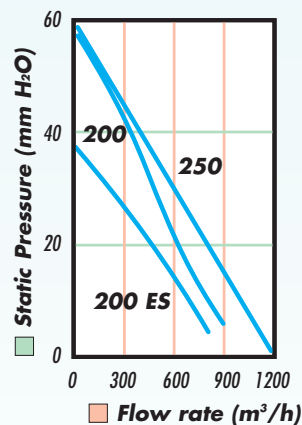
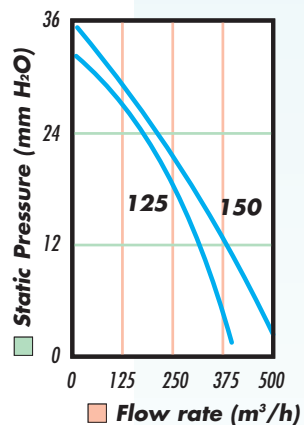
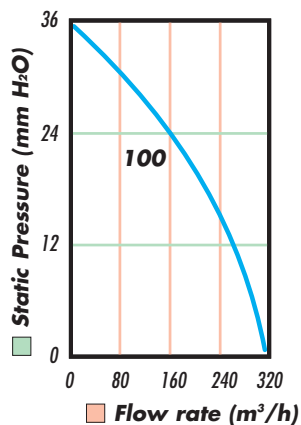
#### Accessories:

- See page 87 .

### Dimensions



Model	Ø A	Ø B	Ø C	D	E	F	G	Kg
<b>TST 100</b>	98	98	290	250	20	10	-	2,9
<b>TST 125</b>	123	123	290	250	25	20	-	2,9
<b>TST 150</b>	148	148	290	250	25	20	-	3,0
<b>TST200 ES</b>	198	198	360	270	25	20	-	5,2
<b>TST 200</b>	198	198	360	270	25	20	-	5,2
<b>TST 250</b>	248	248	360	270	46	43	-	5,7
<b>TST 315</b>	313	313	405	295	38	30	40	6,2



### Technical Data

Model	Ref.	Motor protection	Motor	Flow rate m³/h	Max Press. mm H <sub>2</sub> O	N° Poles	W	Hz	Nominal current in A. at 230V	dB (A) at 2m	RPM
<b>TST 100</b>	OW 470 7	IP44	single phase	280	36	2	65	50/60	0,3	57	2450
<b>TST 125</b>	OW 471 5	IP44	single phase	390	33	2	65	50/60	0,3	56	2400
<b>TST 150</b>	OW 472 3	IP44	single phase	470	33	2	65	50/60	0,3	52	2500
<b>TST200 ES</b>	OW 477 2	IP44	single phase	730	38	2	110	50/60	0,5	60	2700
<b>TST 200</b>	OW 474 8	IP44	single phase	900	59	2	155	50/60	0,75	62	2540
<b>TST 250</b>	OW 475 6	IP44	single phase	1150	59	2	170	50/60	0,8	64	2650
<b>TST 315</b>	OW 476 4	IP44	single phase	1250	60	2	170	50/60	0,8	66	2700