



IN LINE CENTRIFUGAL DUCT FANS  
**TURBO PLAST**





# IN LINE CENTRIFUGAL DUCT FANS TURBO PLAST

New range of centrifugal fans to convey in ducts air with a maximum temperature of 55°C.

- Suitable for domestic, commercial and industrial applications.

- Frame completely made in VO polymeric materials to guarantee the highest level of flame resistance.

- Motor support in high resistance glass filled nylon with air fins incorporated.

Mounting bracket integrated with the product that allows installation in any position.

- Motors on ball bearings with thermoprotector.

- Product protection IPX4.

- Electrical box with IPX5 protection.

- Electrical box with incorporated safety grilles both on inlet and outlet openings.

- In case of duct installations it is possible easily remove the grill from the ducted side, increasing then the product performances.

- Double insulated product, electric grounding it is not necessary.

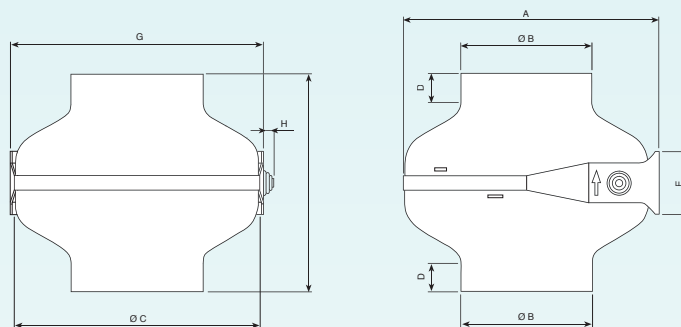
- Motor speed can be regulated with an optional electronic regulator (see page 87).

- In accordance with EN 60335-2-80.

## Accessories

- See page 87

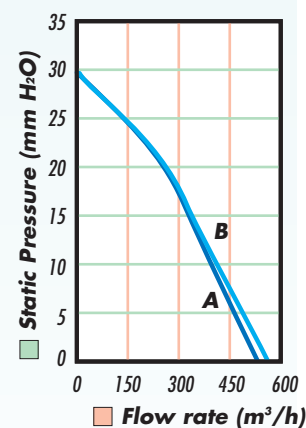
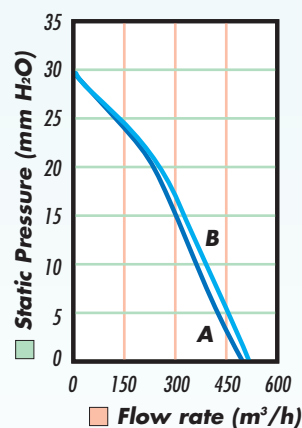
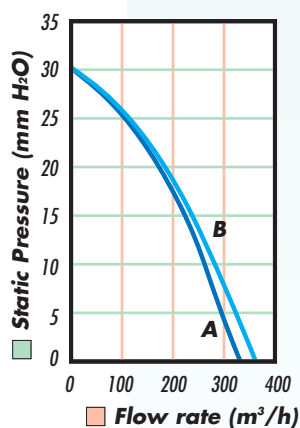
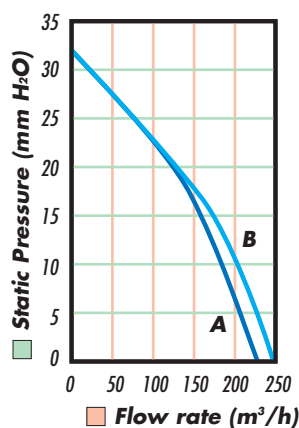
## Dimensions



Model	A	ø B	ø C	D	E	F	G	H	Kg
<b>Turbo Plast 100</b>	287	98	275	17	70	242	282	12	2,6
<b>Turbo Plast 125</b>	287	123	275	24	70	242	282	12	2,6
<b>Turbo Plast 150</b>	287	148	275	32	70	242	282	12	2,6
<b>Turbo Plast 160</b>	287	158	275	33	70	242	282	12	2,6

**A = with two grilles**

**B = with one grille**



## Technical Data with two grilles

Model	Ref.	Flow rate m <sup>3</sup> /h	Max press. mm. H <sub>2</sub> O	W	Hz	dB (A) at 3m (*)	Nom. Curr. in A. at 230V	RPM
<b>Turbo Plast 100</b>	OW 372 5	230	31	75	50	48	0.30	2680
<b>Turbo Plast 125</b>	OW 375 8	330	30	75	50	48	0.33	2560
<b>Turbo Plast 150</b>	OW 386 5	490	29	75	50	49	0.39	2450
<b>Turbo Plast 160</b>	OW 387 3	520	29	75	50	50	0.40	2450

\* dB (A) at 3 meters with ducted inlet and outlet.