



# CENTRIFUGAL ROOF FANS 80°C TX





# CENTRIFUGAL ROOF FANS 80°C

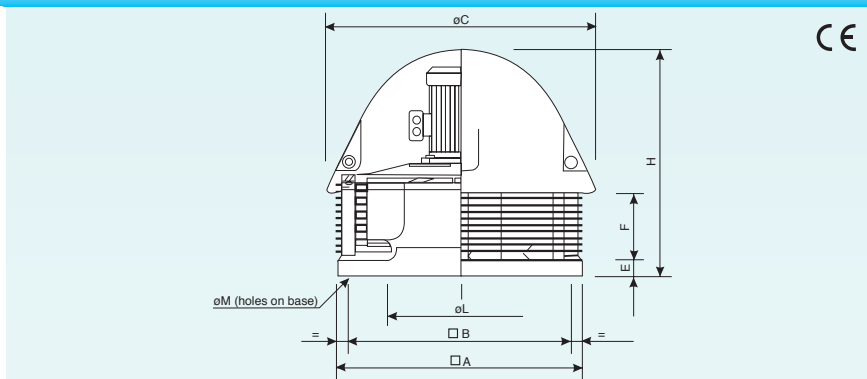
## TX

- Centrifugal roof fans to extract air or fumes directly or from ducts.
- Medium- high flow rates with pressure to overcome pressure losses due to duct resistance.
- Maximum temperature of air and fumes 80°C.
- Induction motor with external rotor on ball bearings, IP 55 protection, class F insulation and fitted with cooling impeller.
- Zinc-plated steel body and impeller, cover made in plastic reinforced by incorporated fibreglass.
- Blade statically and dynamically balanced.
- Safety protection grille.
- In accordance with the essential requirements of 89/392/CE directive concerning machines, and with European Standards EN 292 part I and II, UNI EN 294 and IEC 204-1 and 2.
- Electronic regulators available (see page 99).

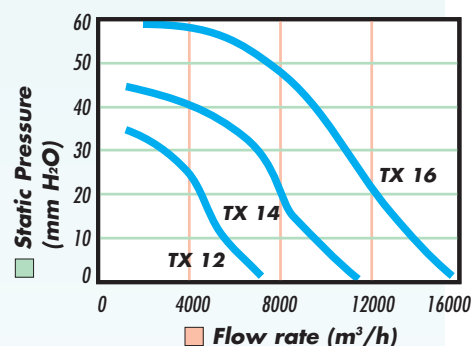
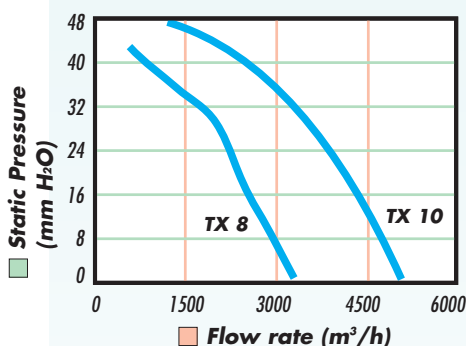
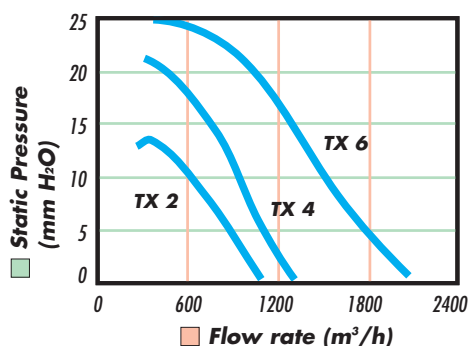
### Accessories:

- See page 113.

### Dimensions



Model	□ A	□ B	∅ C	E	F	H	∅ L	∅ M	Kg
TX 2 T/M	408	358	524	38	100	487	200	11	12
TX 4 T/M	408	358	524	38	141	527	210	11	13
TX 6 T/M	408	358	524	38	153	539	233	11	15
TX 8 T/M	514	464	651	38	197	648	310	11	25
TX 10 T/M	761	699	932	38	195	756	346	13	47
TX 12 T	761	699	932	38	272	833	422	13	62
TX 14 T	860	798	1090	38	247	918	477	13	90
TX 16 T	860	798	1090	38	302	973	538	13	110



### Technical data

Model	Ref.	Motor Protection	Motor	Volt 50 Hz	Flow rate m³/h	Max Press. mm. H <sub>2</sub> O	N. Poles	W	Nom. curr. in A. at 230V	at 400V	dB (A) at 2 m	RPM
TX 2 T	OW 756 9	IP55	three-phase	400/230	1050	16	4	180	0,78	0,45	48	1460
TX 2 M	OW 757 7	IP55	single-phase	230	1050	16	4	180	1,20	-	48	1460
TX 4 T	OW 753 6	IP55	three-phase	400/230	1250	22	4	180	0,78	0,45	52	1450
TX 4 M	OW 759 3	IP55	single-phase	230	1250	22	4	180	1,20	-	52	1450
TX 6 T	OW 760 1	IP55	three-phase	400/230	1900	27	4	190	0,86	0,5	56	1435
TX 6 M	OW 761 9	IP55	single-phase	230	1900	27	4	190	1,30	-	56	1435
TX 8 T	OW 763 5	IP55	three-phase	400/230	3500	45	4	450	2	1,2	63	1435
TX 8 M	OW 762 7	IP55	single-phase	230	3500	45	4	450	2,3	-	63	1435
TX 10 T	OW 764 3	IP55	three-phase	400/230	5000	52	4	900	2,2	1,6	64	1410
TX 10 M	OW 776 7	IP55	single-phase	230	5000	52	4	900	5,2	-	64	1410
TX 12 T	OW 765 0	IP55	three-phase	400/230	7000	36	6	750	3,4	2	61	960
TX 14 T	OW 766 8	IP55	three-phase	400/230	11000	48	6	1100	5,2	3	63	960
TX 16 T	OW 767 6	IP55	three-phase	400/230	15200	64	6	2200	8,6	5	66	960