

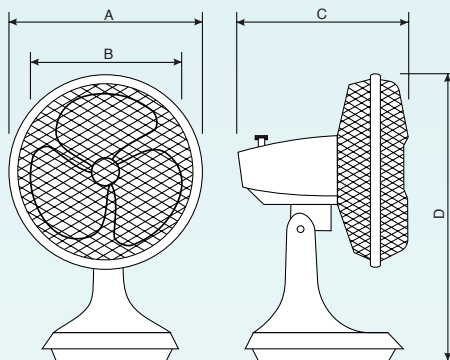


TABLE AND PEDESTAL FANS VE

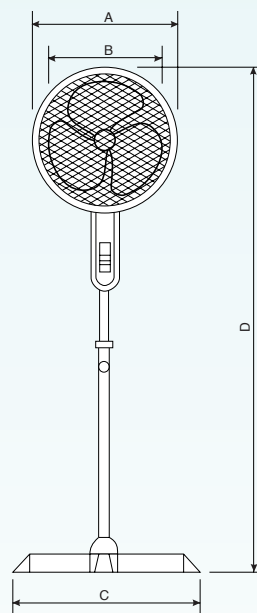
- Oscillating table and pedestal fans.
- Body and impeller made of shock-proof plastic material.
- Safety grille in painted steel.
- Horizontal oscillating 80°, with locking function.
- In accordance with CEI 61-28 (HD 280 S1).



Dimensions



Model	A	B	C	D
VE 400/16"	450	385	305	620



Model	A	B	C	D
VE 400/16" Pedestal	450	385	620	1250 - 1450

Technical Data

Model	Ref.	N° of speed	W	Grille diameter mm	rpm at max speed	Weight kg
VE 400/16"	OW 115 8	3	58	450	1300	3,9
VE 400/16" Pedestal	OW 116 6	3	58	450	1300	8,0