



AXIAL FANS WITH MANUAL AND AUTOMATIC SHUTTER **VENTIL E VENTIMATIC**



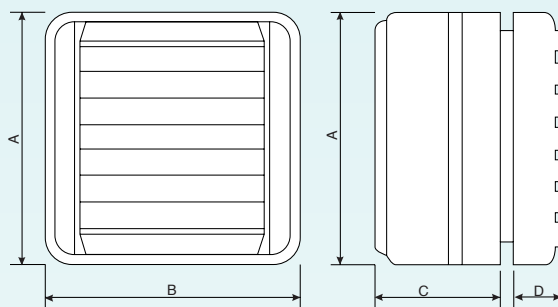


AXIAL FANS WITH MANUAL AND AUTOMATIC SHUTTER

VENTIL E VENTIMATIC

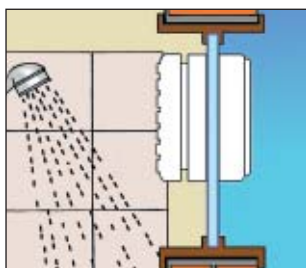
- Axial fans to extract air and fumes directly outside.
- Window or panel installation with thickness up to 5mm.
- Grille made in shining ABS material.
- Rain proof external grille.
- In accordance with EN 60335-2-80.
- For **Ventil** range, manual opening and closing of shutter.
- For **Ventimatic** range, automatic opening and closing of shutter.

Dimensions



IPX4

Model	A	B	C	D
Ventil 10 - Ventimatic 10	154	154	77	29
Ventil 12 - Ventimatic 12	174	174	74	29
Ventil 15 - Ventimatic 15	210	210	99	29



Ventimatic range
Splashproof fans for areas with high humidity.



Low motion and noiseless opening and closing of shutter (Ventimatic range).



All Ventil and Ventimatic range are supplied with anti-vibration gasket.

Accessories

Model	Ref.
Double glazing kit Ventil/Ventimatic 10	OW 877 3
Double glazing kit Ventil/Ventimatic 15	OW 879 9

Technical Data

Model	Ref.	Window hole diameter mm	Flow rate m ³ /h	W	Nominal Voltage and Frequency	dB (A) at 3 m	Weight kg
VENTIL 10	OW 840 1	135÷145	68	20	220-240V 50Hz	42	0,9
VENTIL 12	OW 841 9	155÷165	100	21	220-240V 50Hz	42	1
VENTIL 15	OW 842 7	184÷195	155	30	220-240V 50Hz	43	1,6
VENTIMATIC 10	OW 110 9	135÷145	68	20	220-240V 50Hz	42	0,9
VENTIMATIC 12	OW 111 7	155÷165	100	21	220-240V 50Hz	42	1
VENTIMATIC 15	OW 112 5	184÷195	155	30	220-240V 50Hz	43	1,6